

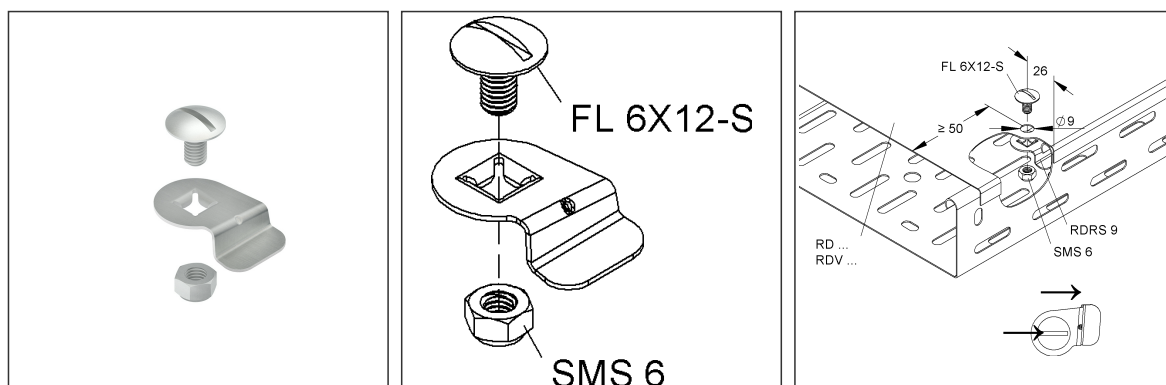
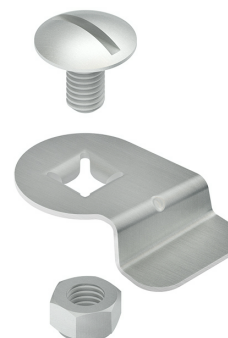
Turning Bolt

incl. locking nut acc. to DIN EN ISO 10511

RDRS 9 E3

EAN Code: 4013339337705
Smallest packaging unit: 20 pcs.

the photorealistic images are to be considered as reference images



Article Description

Turning bolt with locking nut acc. to DIN EN ISO 10511, stainless steel, material code: 1.4301, AISI 304, incl. accessories

Incl. accessories

1 FL 6X12-S E3, 1 SMS 6 E3

Additional Price Information

Article group	N13
quantity unit	pcs.

Weight

Weight per quantity unit	16 g / pcs.
Weight in kg per 100	1,6 kg / 100pcs.

Technical Datasheet

Cable Tray System

RDRS 9 E3

the photorealistic images are to be considered as reference images

Physical Article Dimensions

Height	15.00 mm
Width	22.00 mm
Depth/length	35.00 mm

Packing Dimension

20 pieces = 1		✓ VP1-smallest packaging unit (PU)		✓ VP1-preferred PU	
Lenght	74.00 mm	Width	72.00 mm	Height	55.00 mm
Gross weight	0,34 kg	Volume	0,000 m ³		
Min. quantity	20.00 pcs.	Max. Quantity	20.00 pcs.		

200 pieces = 1 covering box					
Lenght	330 mm	Width	148.00 mm	Height	78.00 mm
Gross weight	3,47 kg	Volume	0,004 m ³		
Min. Quantity	200.00 pcs.	Max. Quantity	200.00 pcs.		

9600 pieces = 1					
Lenght	750 mm	Width	750 mm	Height	730 mm
Gross weight	207 kg	Volume	0,411 m ³		
Min. Quantity	9.600.00 pcs.	Max. Quantity	9.600.00 pcs.		

Tender Text

Turning lock, for subsequent or additional installation in cable tray covers, including mushroom head screw with slot FL 6X12-S E3 DIN 603, washer US M8 E3 DIN EN ISO 7089 and safety nut SMS 6 E3 DIN 985 made of stainless steel, material no. 1.4301, AISI 304.

Use outdoors, due to external influences such as wind loads, is only possible with an additional safety device (self-tapping screws, steel band, etc.) When fastening, please note that a minimum distance of ≥ 50 mm must be maintained to the cover start/end.

Furthermore, it must be ensured that the screw head slot is mounted flush with the fastening lug of the turnbuckle plate. This ensures that all twist-locks on the cover are properly closed (position of the screw head slot) at a later date. Please observe additional regulations for use in functional maintenance!

Used for: cable tray cover RD ...

RDV ...

Delivery : unassembled and loose

Material lock : stainless steel, material No. 1.4571, AISI 316Ti

NIEDAX Model No. : RDRS 9 E3

EP Material _____ EP Wage _____

Unit price/piece

Safety & Environment

REACH Date	25.06.2025
REACH Info	Conformable
RoHS Info	Conformable

Technical Datasheet

Cable Tray System

RDRS 9 E3

the photorealistic images are to be considered as reference images

Origin & International Trade

Country of origin	DE
Customs tariff number	83024900