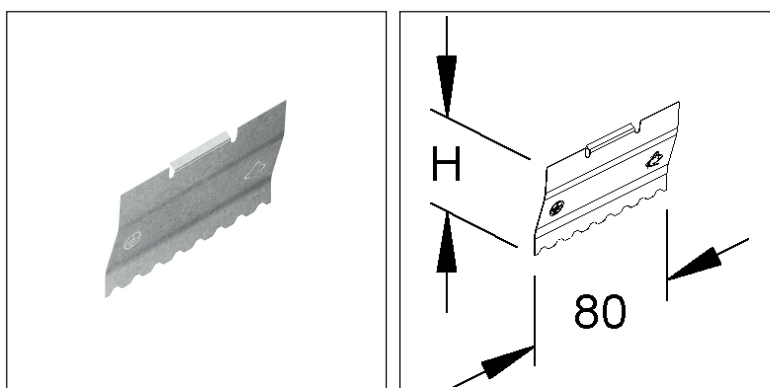


Splice Plate for Barrier Strip

RTV 50 E2

EAN Code: 4013339224999
 Smallest packaging unit: 20 pcs.

the photorealistic images are to be considered as reference images



Article Description

Splice plate for barrier strip, 46,5x80 mm, stainless steel, material code: 1.4310

Additional Price Information

Article group	N13
quantity unit	pcs.

Weight

Weight per quantity unit	12 g / pcs.
Weight in kg per 100	1,18 kg / 100pcs.

Physical Article Dimensions

Height	46.50 mm
Width	7.90 mm
Depth/length	80.00 mm

Technical Datasheet

Cable Tray System

RTV 50 E2

the photorealistic images are to be considered as reference images

Packing Dimension

20 pieces = 1		✓ VP1-smallest packaging unit (PU)		✓ VP1-preferred PU	
Lenght	106.00 mm	Width	91.00 mm	Height	52.00 mm
Gross weight	0,28 kg	Volume	0,001 m ³		
Min. quantity	20.00 pcs.	Max. Quantity	20.00 pcs.		
9800 pieces = 1					
Lenght	750 mm	Width	750 mm	Height	730 mm
Gross weight	179 kg	Volume	0,411 m ³		
Min. Quantity	9.800.00 pcs.	Max. Quantity	9.800.00 pcs.		

Tender Text

Splice plate for barrier strip, for the mechanical, electrical connection of the barrier strips, which are aligned positively in the longitudinal direction at the joint. The connection is made by engaging the barrier strip splice plates at the joint. VDE certified ! for barrier strip : RW 50
 Requirement : 1 piece per joint Dimensions (approx. dimensions) H x L : 46,5 x 80 mm
 Material : stainless steel, material no. 1.4310
 NIEDAX Model No. : RTV 50 E2
 EP Material _____ EP Wage _____
 Unit price/piece

Safety & Environment

REACH Date	25.06.2025
REACH Info	Conformable
RoHS Info	Conformable

Origin & International Trade

Country of origin	DE
Customs tariff number	73089059