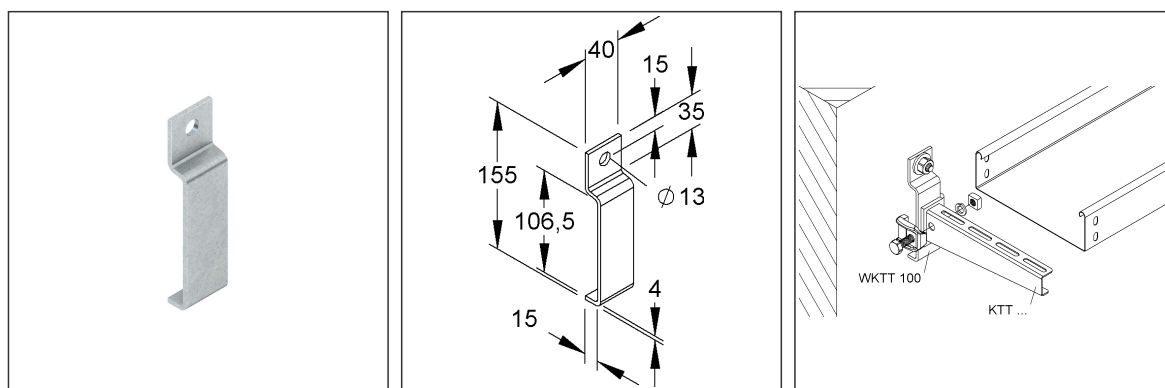


Wall Connection Lug

WKTT 100

EAN Code: 4013339182701
 Smallest packaging unit: 50 pcs.

the photorealistic images are to be considered as reference images



Article Description

Wall connection lug, steel, hot dip galvanised DIN EN ISO 1461

Additional Price Information

Article group	N13
quantity unit	pcs.

Weight

Weight per quantity unit	241 g/ pcs.
Weight in kg per 100	24 kg/ 100pcs.

Physical Article Dimensions

Height	19.00 mm
Width	40.00 mm
Depth/length	155.00 mm

Technical Datasheet

Fastenings accessories

WKTT 100

the photorealistic images are to be considered as reference images

Packing Dimension

50 pieces = 1 carton		✓ VP1-smallest packaging unit (PU)		✓ VP1-preferred PU	
Lenght	350 mm	Width	180.00 mm	Height	110.00 mm
Gross weight	12 kg	Volume	0,007 m ³		
Min. quantity	50.00 pcs.	Max. Quantity	50.00 pcs.		
3000 pieces = 1 pallet					
Lenght	1200 mm	Width	800 mm	Height	1000 mm
Gross weight	756 kg	Volume	0,960 m ³		
Min. Quantity	3.000.00 pcs.	Max. Quantity	3.000.00 pcs.		

Tender Text

<p>Wall connection lug, for wall mounting of a clamping bracket, fastening by means of dowel/screw M 12.</p> <p>Used for : bracket KTT...</p> <p>Dimensions (approx. dimensions)</p> <p>Height H : 155 mm</p> <p>Width W : 40 mm</p> <p>Depth D : 19 mm</p> <p>Material thickness t : 4 mm</p> <p>Bracket clamping area clear</p> <p>inside dimensions H x D : 106.5 x 15 mm</p> <p>Perforation : Ø 13 mm</p> <p>Material : Steel, hot-dip galvanised acc. to DIN EN ISO 1461</p> <p>NIEDAX Model No. : WKTT 100</p> <p>EP Material _____ EP Wage _____</p> <p>Unit price/piece</p>

Safety & Environment

REACH Date	25.06.2025
REACH Info	Conformable
RoHS Info	Conformable

Origin & International Trade

Country of origin	DE
Customs tariff number	73089059