

## Clamping Piece

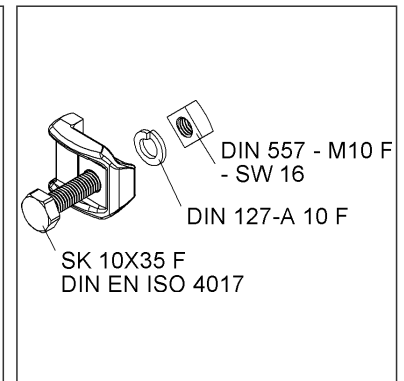
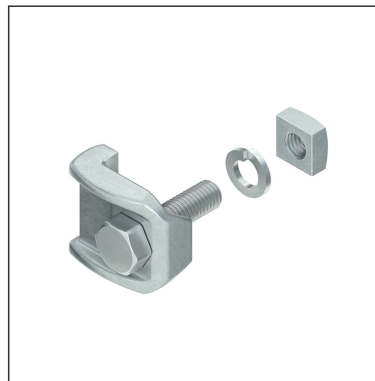
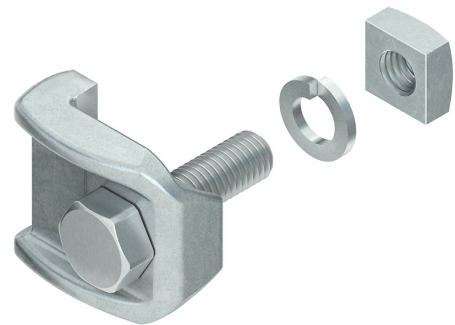
incl. 1 SKM 10x35 F to DIN EN ISO 4017, 1 lock washer A 10 F to DIN 127 and 1 square nut M10 F to DIN 557

## TTKGZ 42 F

EAN Code: 4013339962235

Smallest packaging unit: 10 pcs.

the photorealistic images are to be considered as reference images



### Article Description

Clamping piece for bracket KTT and KTTS, steel, hot dip galvanised DIN EN ISO 1461, incl. accessories

### Additional Price Information

Article group	N13
quantity unit	pcs.

### Weight

Weight per quantity unit	129 g / pcs.
Weight in kg per 100	13 kg / 100pcs.

# Technical Datasheet

## Supporting structure

TTKGZ 42 F

the photorealistic images are to be considered as reference images

### Physical Article Dimensions

Height	17.00 mm
Width	38.00 mm
Depth/length	42.00 mm

### Packing Dimension

<b>10 pieces = 1</b>		✓ VP1-smallest packaging unit ( PU)		✓ VP1-preferred PU	
Lenght	138.00 mm	Width	96.00 mm	Height	71.00 mm
Gross weight	1,34 kg	Volume	0,001 m <sup>3</sup>		
Min. quantity	10.00 pcs.	Max. Quantity	10.00 pcs.		

<b>1800 pieces = 1</b>					
Lenght	750 mm	Width	750 mm	Height	730 mm
Gross weight	281 kg	Volume	0,411 m <sup>3</sup>		
Min. Quantity	1.800.00 pcs.	Max. Quantity	1.800.00 pcs.		

### Tender Text

Clamping piece, including fastening accessories 1x SKM 10x35 F acc. to DIN EN ISO 4017, 1x spring washer A 10 F acc. to DIN 127 as well as 1x square nut M 10 F acc. to DIN 557, for additional requirements. for bracket : KTT... KTTS...  
Material : Steel, hot-dip galvanised acc. to DIN EN ISO 1461  
NIEDAX Model No.: TTKGZ 42 F  
EP Material\_\_\_\_\_ EP Lohn\_\_\_\_\_  
Unit price/piece

### Safety & Environment

REACH Date	25.06.2025
REACH Info	Conformable
RoHS Info	Conformable

### Origin & International Trade

Country of origin	DE
Customs tariff number	73259910