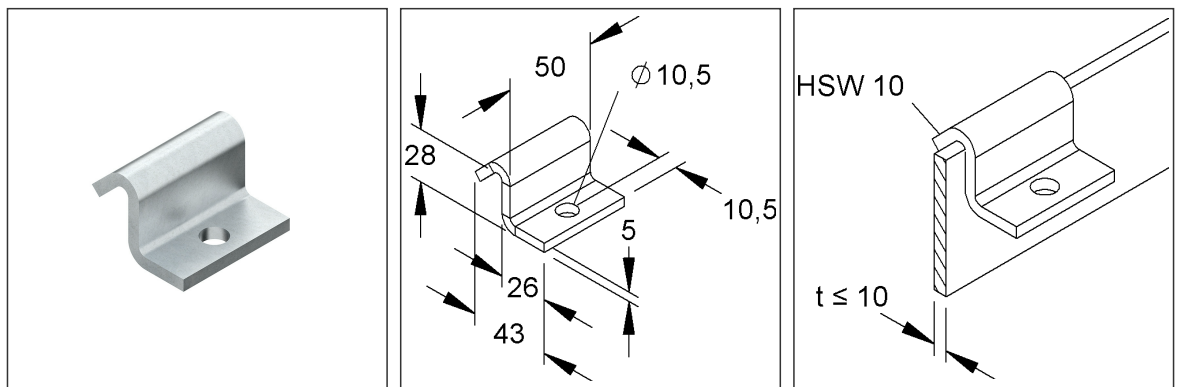


Angle Clamp

HSW 10

EAN Code: 4013339196500
 Smallest packaging unit: 50 pcs.

the photorealistic images are to be considered as reference images



Article Description

Angle clamp, steel, hot dip galvanised DIN EN ISO 1461

Additional Price Information

Article group	N13
quantity unit	pcs.

Weight

Weight per quantity unit	145 g / pcs.
Weight in kg per 100	14 kg / 100pcs.

Physical Article Dimensions

Height	33.00 mm
Width	43.00 mm
Depth/length	50.00 mm

Technical Datasheet

Supporting structure

HSW 10

the photorealistic images are to be considered as reference images

Packing Dimension

50 pieces = 1 carton		✓ VP1-smallest packaging unit (PU)		✓ VP1-preferred PU	
Lenght	210 mm	Width	150.00 mm	Height	100.00 mm
Gross weight	7,41 kg	Volume	0,003 m ³		
Min. quantity	50.00 pcs.	Max. Quantity	50.00 pcs.		
6750 pieces = 1 pallet					
Lenght	1200 mm	Width	800 mm	Height	1000 mm
Gross weight	1015 kg	Volume	0,960 m ³		
Min. Quantity	6.750.00 pcs.	Max. Quantity	6.750.00 pcs.		

Tender Text

Angle clamp, for clamping to angle profiles up to 10 mm flange thickness. Dimensions (approx. dimensions) H x W x L : 28 x 50 x 43 mm Material thickness t : 5 mm Fastening holes : Ø 10.5 mm Material : Steel, hot-dip galvanised acc. to DIN EN ISO 1461 NIEDAX Model No. : HSW 10 EP Material _____ EP Lohn _____ Unit price/piece

Safety & Environment

REACH Date	25.06.2025
REACH Info	Conformable
RoHS Info	Conformable

Origin & International Trade

Country of origin	DE
Customs tariff number	73089059