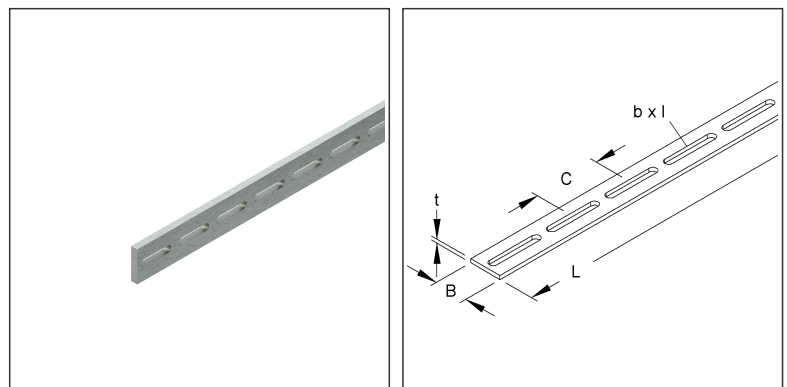


Slotted Steel Strip

S 20 X 1.5/2

EAN Code: 4013339017201
 Smallest packaging unit: 10 x 2 m
 quantity unit: m M

the photorealistic images are to be considered as reference images



Article Description

Slotted steel strip, width 20 mm, length 2000 mm, t=1,5 mm, steel, hot dip galvanised DIN EN ISO 1461

Additional Price Information

Article group	N07
quantity unit	m

Weight

Weight per quantity unit	194 g/ m
Weight in kg per 100	19 kg/ 100m

Physical Article Dimensions

Height	1.50 mm
Width	20.00 mm
Depth/length	

Technical Datasheet

Cable clamps

S 20 X 1.5/2

the photorealistic images are to be considered as reference images

Packing Dimension

20 meters = 1 bundle		✓ VP1-smallest packaging unit (PU)		✓ VP1-preferred PU	
Lenght	350 mm	Width	30.00 mm	Height	350 mm
Gross weight	3,86 kg	Volume	0,004 m ³		
Min. quantity	20.00 m	Max. Quantity	20.00 m		

Tender Text

Slotted band iron, with straight edges. Dimensions (approx. dimensions)
 Width W : 20 mm
 Material thickness t : 1.5 mm Perforation : 5.5 x 40 mm
 Central distance : 45 mm
 Delivery length L : 2000 mm Delivery size : 10 x 2 m Rods Breaking load : 6.885 kN
 Material : Steel, hot-dip galvanised acc. to DIN EN ISO 1461
 NIEDAX Model No.: S 20 X 1.5/2
 EP Material _____ EP Wages _____
 Unit price/meter

Safety & Environment

REACH Date	25.06.2025
REACH Info	Conformable
RoHS Info	Conformable

Origin & International Trade

Country of origin	DE
Customs tariff number	73145000