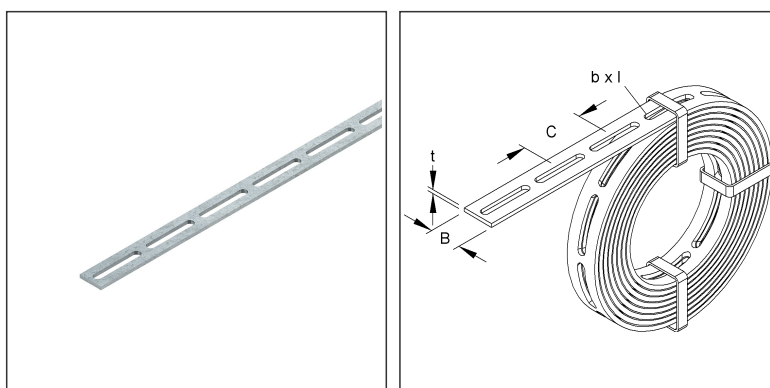


Slotted Steel Strip

S 25 X 3

EAN Code: 4013339016907
 Smallest packaging unit: 20 m
 quantity unit: m M

the photorealistic images are to be considered as reference images



Article Description

Slotted steel strip, width 25 mm, rolle 20 m, t=3,0 mm, steel, hot dip galvanised DIN EN ISO 1461

Additional Price Information

Article group	N07
quantity unit	m

Weight

Weight per quantity unit	497 g/ m
Weight in kg per 100	50 kg/ 100m

Physical Article Dimensions

Height	3.00 mm
Width	25.00 mm
Depth/length	

Technical Datasheet

Cable clamps

S 25 X 3

the photorealistic images are to be considered as reference images

Packing Dimension

20 meters = 1		✓ VP1-smallest packaging unit (PU)		✓ VP1-preferred PU	
Lenght	350 mm	Width	40.00 mm	Height	350 mm
Gross weight	9,92 kg	Volume	0,005 m ³		
Min. quantity	20.00 m	Max. Quantity	20.00 m		

Tender Text

Slotted band iron, with straight edges. Dimensions (approx. dimensions)	
Width W : 25 mm	
Material thickness t : 3 mm Perforation : 6.5 x 43 mm	
Centre distance : 50 mm	
Delivery length L : 20 m roll Breaking load : 17.85 kN	
Material : Steel, hot-dip galvanised acc. to DIN EN ISO 1461	
NIEDAX Model No.: S 25 X 3	
EP Material _____ EP Wage _____ Unit price/roll	

Safety & Environment

REACH Date	25.06.2025
REACH Info	Conformable
RoHS Info	Conformable

Origin & International Trade

Country of origin	DE
Customs tariff number	73145000