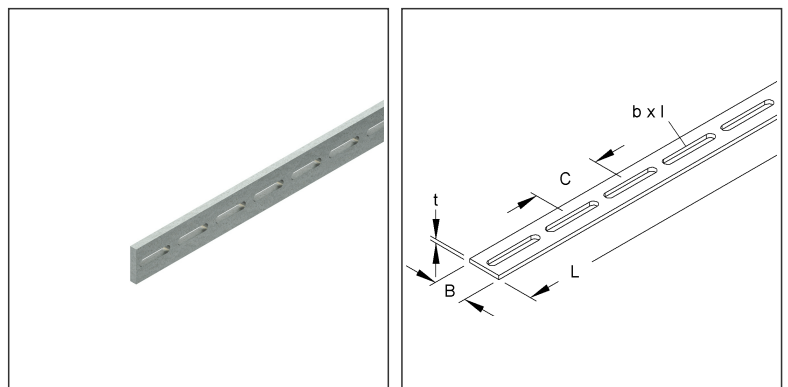


Slotted Steel Strip

S 30 X 4/2

EAN Code: 4013339017706
 Smallest packaging unit: 10 x 2 m
 quantity unit: m M

the photorealistic images are to be considered as reference images



Article Description

Slotted steel strip, width 30 mm, length 2000 mm, t=4,0 mm, steel, hot dip galvanised DIN EN ISO 1461

Additional Price Information

Article group	N07
quantity unit	m

Weight

Weight per quantity unit	753 g/ m
Weight in kg per 100	75 kg/ 100m

Physical Article Dimensions

Height	4.00 mm
Width	30.00 mm
Depth/length	2000 mm

Technical Datasheet

Cable clamps

S 30 X 4/2

the photorealistic images are to be considered as reference images

Packing Dimension

20 meters = 1 bundle		✓ VP1-smallest packaging unit (PU)	✓ VP1-preferred PU		
Lenght	350 mm	Width	40.00 mm	Height	350 mm
Gross weight	15 kg	Volume	0,005 m ³		
Min. quantity	20.00 m	Max. Quantity	20.00 m		

Tender Text

Slotted band iron, with straight edges. Dimensions (approx. dimensions)
Width W : 30 mm
Material thickness t : 4 mm Perforation : 8.5 x 70 mm
Central
distance : 75 mm
Delivery length L : 2000 mm Delivery size : 10 x 2 m Rods Breaking load : 27.88 kN
Material : Steel, hot-dip galvanised acc. to DIN EN ISO 1461
NIEDAX Model No.: S 30 X 4/2
EP Material_____ EP Wages_____
Unit price/meter

Safety & Environment

REACH Date	25.06.2025
REACH Info	Conformable
RoHS Info	Conformable

Origin & International Trade

Country of origin	DE
Customs tariff number	73145000