

Slotted Steel Strip

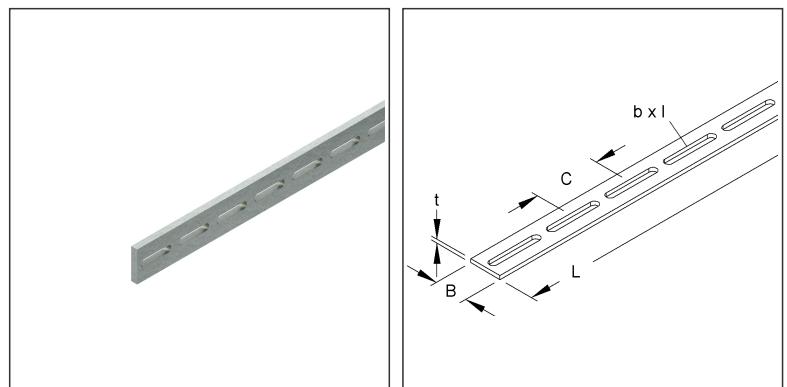
S 40 X 5/3

EAN Code: 4013339017744

Smallest packaging unit:3 m

quantity unit:m M

the photorealistic images are to be considered as reference images



Article Description

Slotted steel strip, width 40 mm, length 3000 mm, t=5,0 mm, steel, hot dip galvanised DIN EN ISO 1461

Additional Price Information

Article group	N07
quantity unit	m

Weight

Weight per quantity unit	1,447 kg/ m
Weight in kg per 100	145 kg/ 100m

Physical Article Dimensions

Height	5.00 mm
Width	40.00 mm
Depth/length	3000 mm

Technical Datasheet

Cable clamps

S 40 X 5/3

the photorealistic images are to be considered as reference images

Packing Dimension

3 meters = 1 piece		✓ VP1-smallest packaging unit (PU)		✓ VP1-preferred PU	
Lenght	3000 mm	Width	40.00 mm	Height	5.00 mm
Gross weight	4,34 kg	Volume	0,001 m ³		
Min. quantity	3.00 m	Max. Quantity	3.00 m		

30 meters = 1 bundle					
Lenght	350 mm	Width	40.00 mm	Height	350 mm
Gross weight	43 kg	Volume	0,005 m ³		
Min. Quantity	30.00 m	Max. Quantity	30.00 m		

450 meters = 1 rack					
Lenght	3000 mm	Width	850 mm	Height	670 mm
Gross weight	738 kg	Volume	1,708 m ³		
Min. Quantity	450.00 m	Max. Quantity	450.00 m		

Tender Text

Slotted band iron, with straight edges. Dimensions (approx. dimensions)
 Width W : 40 mm
 Material thickness t : 5 mm Perforation : 8.5 x 40 mm
 central
 distance : 50 mm
 Delivery length L : 3000 mm Breaking load : 51.85 kN
 Material : Steel, hot-dip galvanised acc. to DIN EN ISO 1461
 NIEDAX Model No.: S 40 X 5/3
 EP Material _____ EP Wage _____
 Unit price/meter

Safety & Environment

REACH Date	25.06.2025
REACH Info	Conformable
RoHS Info	Conformable

Origin & International Trade

Country of origin	DE
Customs tariff number	73145000