

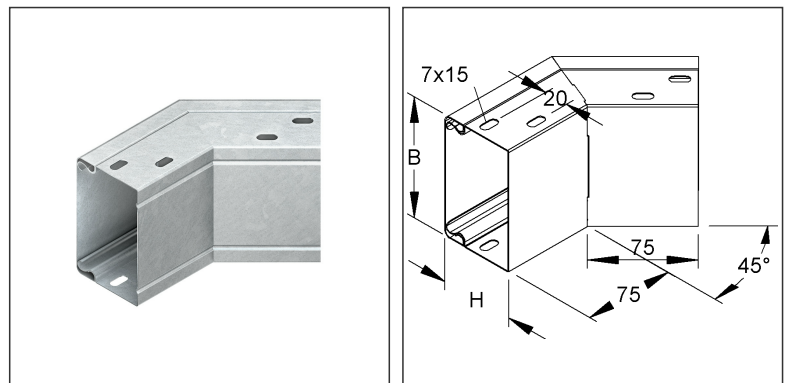
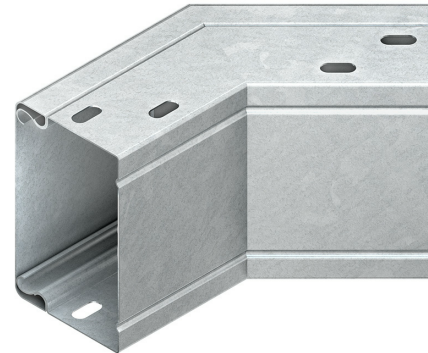
Outside Elbow 45°

with screw connector perforation, with cover

LEAB 60.060

EAN Code: 4013339534807
 Smallest packaging unit: 8 pcs.

the photorealistic images are to be considered as reference images



Article Description

Outside elbow 45° with screw connector perforation, with cover, 60x60, steel, pre-galvanised according to DIN EN 10346

Additional Price Information

Article group	N16
quantity unit	pcs.

Weight

Weight per quantity unit	337 g / pcs.
Weight in kg per 100	34 kg / 100pcs.

Technical Datasheet

Cable protection duct

LEAB 60.060

the photorealistic images are to be considered as reference images

Physical Article Dimensions

Height	60.00 mm
Width	114.00 mm
Depth/length	171.00 mm

Packing Dimension

1 piece = 1 piece		✓ VP1-smallest packaging unit (PU)			
Lenght	171.00 mm	Width	114.00 mm	Height	60.00 mm
Gross weight	0,34 kg	Volume	0,001 m ³		
Min. quantity	1.00 pcs.	Max. Quantity	1.00 pcs.		
8 pieces = 1 carton		✓ VP2-preferred PU			
Lenght	350 mm	Width	180.00 mm	Height	110.00 mm
Gross weight	3,02 kg	Volume	0,007 m ³		
Min. Quantity	8.00 pcs.	Max. Quantity	8.00 pcs.		

Tender Text

Vertical outside elbow 45° for industrial duct, with snap-on cover, duct bottom part unperforated but with screw connector perforations in the sides, the equipotential bonding of the covers is carried out automatically when snapped on, accessories for equipotential bonding, two splice plates LIV 60 per joint, must be ordered separately.

VDE certified!

for industrial ducts : LUE... LI...

Dimensions (approx. dimensions) H x W (approx. dimensions) : 60 x 60 mm

Leg length inside : 75 mm

Material : Steel, pre-galvanised acc. to DIN EN 10346

NIEDAX Model No. : LEAB 60.060

EP Material _____ EP Wage _____

Unit price/piece

Safety & Environment

REACH Date	05.11.2025
REACH Info	Conformable
RoHS Info	Conformable

Origin & International Trade

Country of origin	DE
Customs tariff number	73089059

Technical Datasheet

Cable protection duct

LEAB 60.060

the photorealistic images are to be considered as reference images

Related items

Connector

Model No.	Description
LIV 60	Universal-splice plate, asymmetrical, steel, pre-galvanised according to DIN EN 10346, incl. accessories