

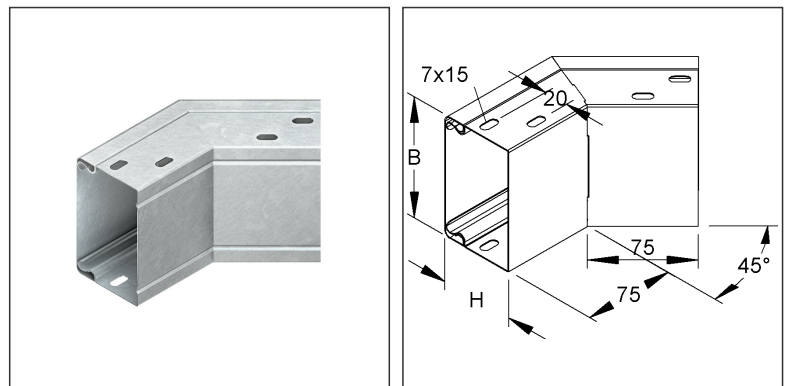
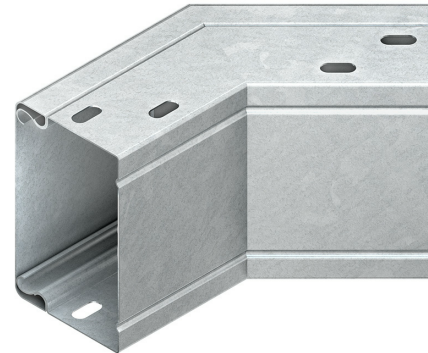
**Outside Elbow 45°**

with screw connector perforation, with cover

**LEAB 60.100**

EAN Code: 4013339534906  
 Smallest packaging unit: 8 pcs.

the photorealistic images are to be considered as reference images



**Article Description**

Outside elbow 45° with screw connector perforation, with cover, 60x100, steel, pre-galvanised according to DIN EN 10346

**Additional Price Information**

Article group	N16
quantity unit	pcs.

**Weight**

Weight per quantity unit	423 g / pcs.
Weight in kg per 100	42 kg / 100pcs.

# Technical Datasheet

## Cable protection duct

LEAB 60.100

the photorealistic images are to be considered as reference images

### Physical Article Dimensions

Height	100.00 mm
Width	114.00 mm
Depth/length	171.00 mm

### Packing Dimension

<b>1 piece = 1 piece</b>		✓ VP1-smallest packaging unit ( PU)			
Lenght	171.00 mm	Width	114.00 mm	Height	100.00 mm
Gross weight	0,42 kg	Volume	0,002 m <sup>3</sup>		
Min. quantity	1.00 pcs.	Max. Quantity	1.00 pcs.		
<b>8 pieces = 1 carton</b>		✓ VP2-preferred PU			
Lenght	480 mm	Width	280 mm	Height	140.00 mm
Gross weight	4,27 kg	Volume	0,019 m <sup>3</sup>		
Min. Quantity	8.00 pcs.	Max. Quantity	8.00 pcs.		

### Tender Text

Vertical outside elbow 45° for industrial duct, with snap-on cover, duct bottom part unperforated but with screw connector perforations in the sides, the equipotential bonding of the covers is carried out automatically when snapped on, accessories for equipotential bonding, two splice plates LIV 60 per joint, must be ordered separately.

VDE certified! for industrial ducts : LUE... LI...

Dimensions (approx. dimensions) H x W (approx. dimensions) : 60 x 100 mm

Leg length inside : 75 mm

Material : Steel, pre-galvanised acc. to DIN EN 10346

NIEDAX Model No. : LEAB 60.100

EP Material \_\_\_\_\_ EP Wage \_\_\_\_\_

Unit price/piece

### Safety & Environment

REACH Date	05.11.2025
REACH Info	Conformable
RoHS Info	Conformable

### Origin & International Trade

Country of origin	DE
Customs tariff number	73089059

### Related items

#### Connector

Model No.	Description
LIV 60	Universal-splice plate, asymmetrical, steel, pre-galvanised according to DIN EN 10346, incl. accessories