

Industrial Duct

perforated, cover not included

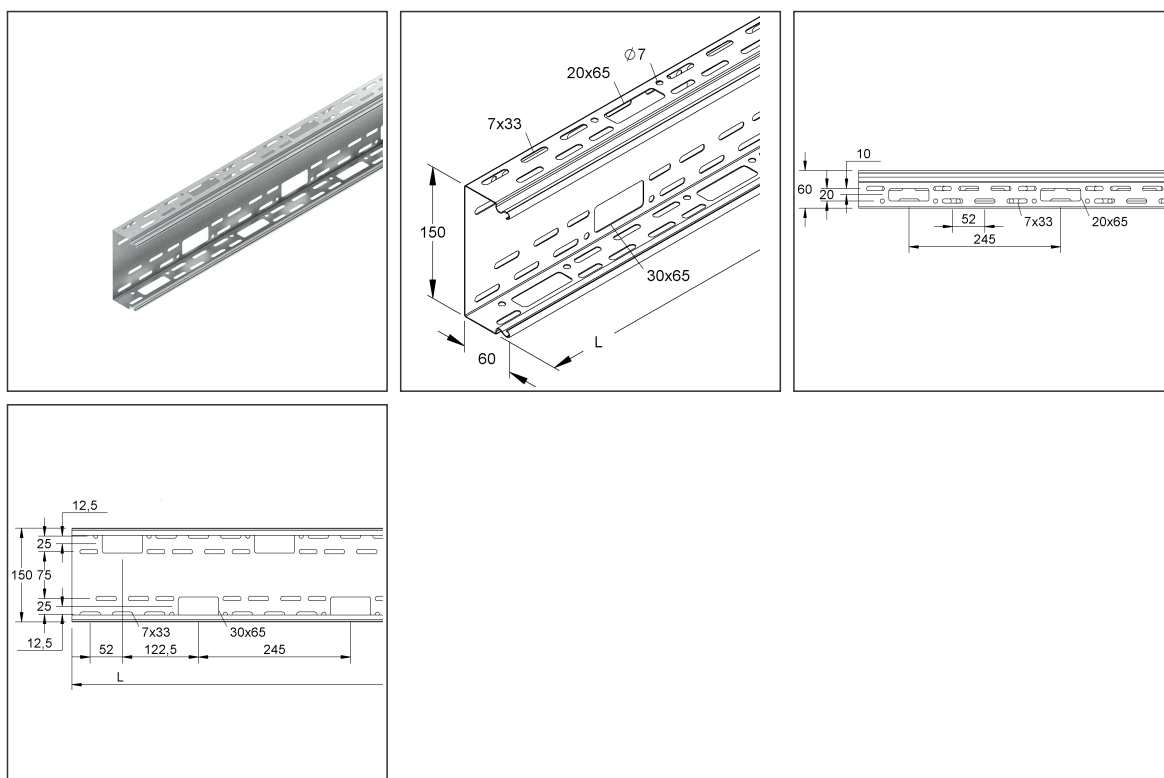
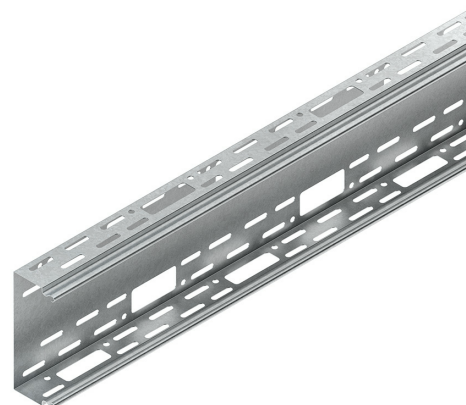
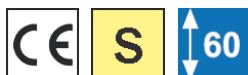
LI 60.150

EAN Code: 4013339532100

Smallest packaging unit: 2 m

quantity unit: m M

the photorealistic images are to be considered as reference images



Article Description

Industrial duct, 60x150x2000 mm, without cover, steel, pre-galvanised according to DIN EN 10346

Additional Price Information

Article group	N16
quantity unit	m

Technical Datasheet

Cable protection duct

LI 60.150

the photorealistic images are to be considered as reference images

Weight

Weight per quantity unit	1,720 kg/ m
Weight in kg per 100	172 kg/ 100m

Physical Article Dimensions

Height	150.00 mm
Width	60.00 mm
Depth/length	2000 mm

Packing Dimension

2 meters = 1 piece		✓ VP1-smallest packaging unit (PU)		✓ VP1-preferred PU	
Lenght	2000 mm	Width	60.00 mm	Height	150.00 mm
Gross weight	3,44 kg	Volume	0,018 m ³		
Min. quantity	2.00 m	Max. Quantity	2.00 m		

336 meters = 1 rack					
Lenght	2000 mm	Width	1162 mm	Height	1120 mm
Gross weight	676 kg	Volume	2,603 m ³		
Min. Quantity	336.00 m	Max. Quantity	336.00 m		

Tender Text

Industrial duct, duct bottom part with staggered bottom and side perforations as well as additionally installed bottom and side outlets for cable and line bushings, without cover, accessories for equipotential bonding, two universal connectors LIV 60 per joint, must be ordered separately.

VDE certified!

Dimensions (approx. dimensions) H x W : 60 x 150 mm Floor outlets : 30 x 65 mm
Floor outlet

distance : 245 mm Side outlets : 20 x 65 mm Side outlet distance : 245 mm

Delivery length L : 2000 mm

Usable cross section : 8582 mm²

Material : Steel, pre-galvanised acc. to DIN EN 10346

NIEDAX Model No. : LI 60.150

EP Material _____ EP Wage _____

Unit price/meter

Safety & Environment

REACH Date	05.11.2025
REACH Info	Conformable
RoHS Info	Conformable

Origin & International Trade

Country of origin	DE
Customs tariff number	73089059

Technical Datasheet

Cable protection duct

LI 60.150

the photorealistic images are to be considered as reference images

Related items

Cover

Model No.	Description
LD 150	Cable trunking cover, 150x2000 mm, steel, pre-galvanised according to DIN EN 10346

Barrier strip

Model No.	Description
LZTP 150	Barrier profile holder with strain relief, channel depth 149 mm, steel, pre-galvanised according to DIN EN 10346
RW 60	Barrier strip, 55x3000 mm, t=0,75 mm, steel, pre-galvanised according to DIN EN 10346, incl. accessories
TPS 50	Barrier strip, height 11 mm, depth 50 mm, length 1996 mm, steel, pre-galvanised according to DIN EN 10346

Connector

Model No.	Description
LIV 60	Universal-splice plate, asymmetrical, steel, pre-galvanised according to DIN EN 10346, incl. accessories