

### Cable Trunking

with perforated bottom, incl. cover

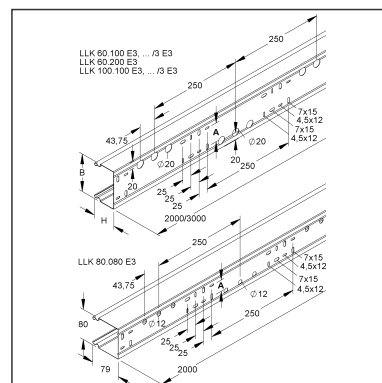
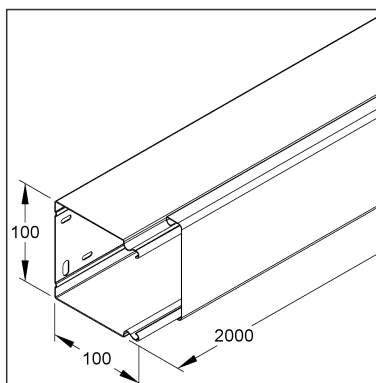
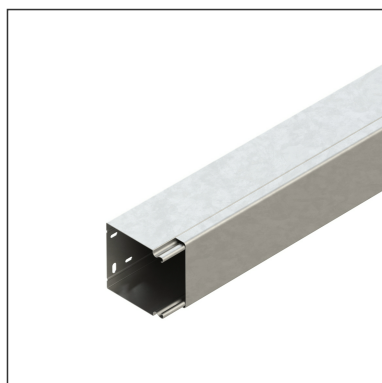
### LLK 100.100 E3

EAN Code: 4013339520633

Smallest packaging unit: 4 x 2 m

quantity unit: m M

the photorealistic images are to be considered as reference images



### Article Description

Cable trunking with cover, 100x100x2000 mm, stainless steel, material code: 1.4301, AISI 304

### Additional Price Information

Article group	N16
quantity unit	m

### Weight

Weight per quantity unit	2,988 kg / m
Weight in kg per 100	299 kg / 100m

### Physical Article Dimensions

Height	100.00 mm
Width	100.75 mm
Depth/length	2000 mm

# Technical Datasheet

## Cable protection duct

LLK 100.100 E3

the photorealistic images are to be considered as reference images

### Packing Dimension

<b>8 meters = 1</b>		✓ VP1-smallest packaging unit ( PU)		✓ VP1-preferred PU	
Lenght	2020 mm	Width	225 mm	Height	130.00 mm
Gross weight	25 kg	Volume	0,059 m <sup>3</sup>		
Min. quantity	8.00 m	Max. Quantity	8.00 m		
<b>192 meters = 1 rack</b>					
Lenght	2000 mm	Width	1162 mm	Height	1120 mm
Gross weight	694 kg	Volume	2,603 m <sup>3</sup>		
Min. Quantity	192.00 m	Max. Quantity	192.00 m		

### Tender Text

Cable trunking, with snap-on cover and double-row fastening perforation and additional offset round perforation in the duct base, the equipotential bonding of the covers is automatic when snapped on, accessories for equipotential bonding, two splice plates LST...E3 per joint, must be ordered separately.

Dimensions (approx. dimensions)

Height H x width W : 100 x 100 mm

double row bottom perforation : 2x (7 x 15) and  
2x (4.5 x 12) mm

middle row distance : 50 mm

Bottom perforation distance grid dimension : 250 mm

offset round bottom perforation : Ø 20 mm

middle row distance : 60 mm

round bottom perforation distance : 250 mm

Delivery length L : 2000 mm

Usable cross section : 9582 mm<sup>2</sup>

Material : stainless steel, material no. 1.4301, AISI 304

NIEDAX model no. : LLK 100.100 E3

EP material\_\_\_\_\_ EP wage\_\_\_\_\_

Unit price/meter

### Safety & Environment

REACH Date	25.06.2025
REACH Info	Conformable
RoHS Info	Conformable

### Origin & International Trade

Country of origin	DE
Customs tariff number	73089059

# Technical Datasheet

## Cable protection duct

LLK 100.100 E3

the photorealistic images are to be considered as reference images

### Related items

#### Barrier strip

Model No.	Description
LZTP 100 E3	Barrier profile holder with strain relief, channel depth 99 mm, stainless steel, material code: 1.4301, AISI 304
TPS 90 E3	Barrier strip, height 11 mm, depth 90 mm, length 1996 mm, stainless steel, material code: 1.4301, AISI 304

#### Connector

Model No.	Description
LST 100 E3	Splice plate with flat plug, for height 100 mm, stainless steel, material code: 1.4301, AISI 304