

Mini-Cable Trunking

incl. cover

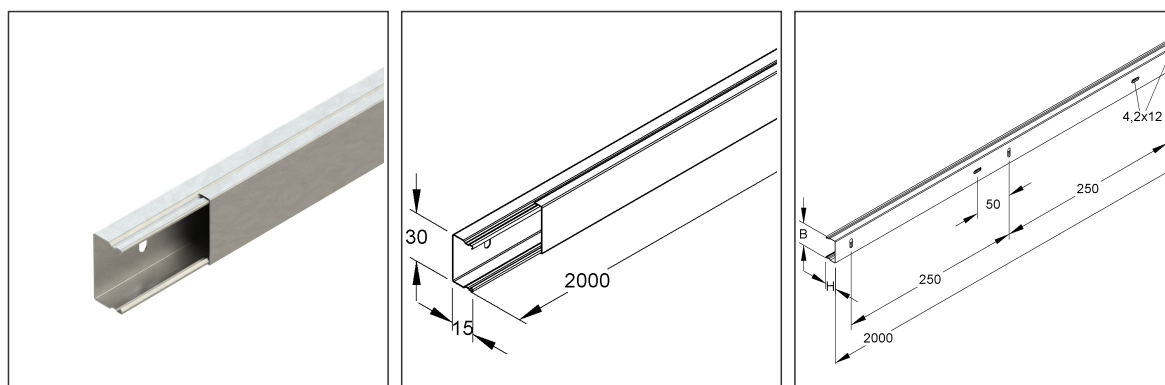
LLK 16.030 E3

EAN Code: 4013339519842

Smallest packaging unit: 30 x 2 m

quantity unit: m M

the photorealistic images are to be considered as reference images



Article Description

Mini-cable trunking with cover, 16x30x2000 mm, stainless steel, material code: 1.4301, AISI 304

Additional Price Information

Article group	N16
quantity unit	m

Weight

Weight per quantity unit	180 g / m
Weight in kg per 100	18 kg / 100m

Physical Article Dimensions

Height	30.00 mm
Width	15.50 mm
Depth/length	2000 mm

Technical Datasheet

Cable protection duct

LLK 16.030 E3

the photorealistic images are to be considered as reference images

Packing Dimension

60 meters = 1		✓ VP1-smallest packaging unit (PU)	✓ VP1-preferred PU		
Lenght	2020 mm	Width	110.00 mm	Height	120.00 mm
Gross weight	11 kg	Volume	0,027 m ³		
Min. quantity	60.00 m	Max. Quantity	60.00 m		
1440 meters = 1 rack					
Lenght	2000 mm	Width	850 mm	Height	770 mm
Gross weight	332 kg	Volume	1,309 m ³		
Min. Quantity	1.440.00 m	Max. Quantity	1.440.00 m		

Tender Text

Mini-cable trunking, with snap-on cover and single-row fastening perforation and additional offset round perforation in the duct base, the equipotential bonding of the covers is automatic when snapped on, accessories for equipotential bonding, one splice plates LST.../LSTA... per joint, must be ordered separately. Dimensions (approx. dimensions)
Height H x width W : 16 x 30 mm
single row bottom perforation : 4.2 x 12
Bottom hole distance grid dimension : 250 mm
Delivery length L : 2000 mm
Usable cross-section : 445 mm²
Material : stainless steel, material no. 1.4301, AISI 304
NIEDAX model no. : LLK 16.030 E3
EP material _____ EP wage _____
Unit price/meter

Safety & Environment

REACH Date	05.11.2025
REACH Info	Conformable
RoHS Info	Conformable

Origin & International Trade

Country of origin	DE
Customs tariff number	73089059

Related items

Connector

Model No.	Description
LST 16.030	Splice plate with flat plug, for height 16 mm, width 30 mm, brass
LSTA 16.030	Splice plate with flat plug, for height 16 mm, width 30 mm, brass