

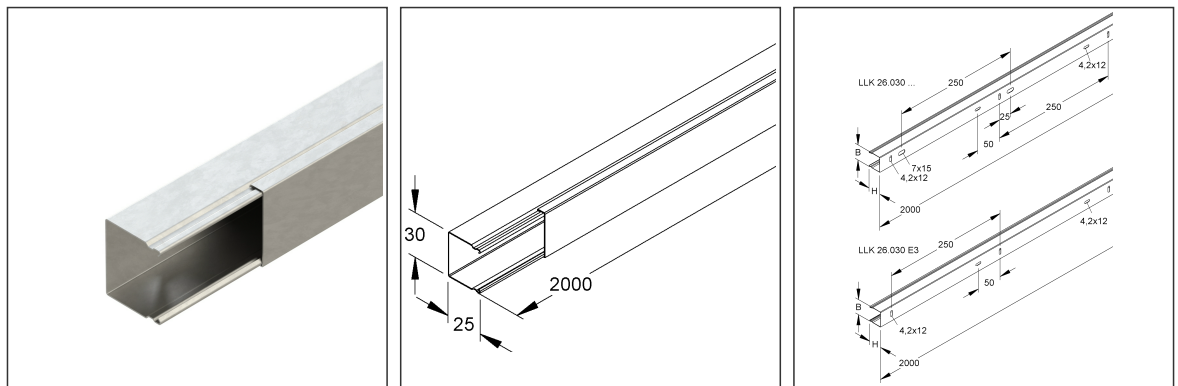
**Mini-Cable Trunking**

incl. cover

**LLK 26.030 E3**

EAN Code: 4013339519866  
 Smallest packaging unit: 18 x 2 m  
 quantity unit: m M

the photorealistic images are to be considered as reference images



**Article Description**

Mini-cable trunking with cover, 26x30x2000 mm, stainless steel, material code: 1.4301, AISI 304

**Additional Price Information**

Article group	N16
quantity unit	m

**Weight**

Weight per quantity unit	505 g / m
Weight in kg per 100	50 kg / 100m

**Physical Article Dimensions**

Height	30.00 mm
Width	25.50 mm
Depth/length	2000 mm

# Technical Datasheet

## Cable protection duct

LLK 26.030 E3

the photorealistic images are to be considered as reference images

### Packing Dimension

<b>36 meters = 1</b>		✓ VP1-smallest packaging unit ( PU)		✓ VP1-preferred PU	
Lenght	2020 mm	Width	105.00 mm	Height	105.00 mm
Gross weight	19 kg	Volume	0,022 m <sup>3</sup>		
Min. quantity	36.00 m	Max. Quantity	36.00 m		
<b>864 meters = 1 rack</b>					
Lenght	2000 mm	Width	850 mm	Height	770 mm
Gross weight	507 kg	Volume	1,309 m <sup>3</sup>		
Min. Quantity	864.00 m	Max. Quantity	864.00 m		

### Tender Text

Mini-cable trunking, with snap-on cover and single-row fastening perforation in the duct bottom, the equipotential bonding of the covers is carried out automatically when snapped on, accessories for equipotential bonding, one splice plate LST.../LSTA... per joint, must be ordered separately.

Dimensions (approx. dimensions)

Height H x width W : 26 x 30 mm

single row bottom perforation : 4.2 x 12 and 7 x 15 mm

Bottom hole distance grid dimension : 250 mm

Delivery length L : 2000 mm

Usable cross-section : 730 mm<sup>2</sup>

Material : stainless steel, material no. 1.4301, AISI 304

NIEDAX model no. : LLK 26.030 E3

EP material \_\_\_\_\_ EP wage \_\_\_\_\_

Unit price/meter

### Safety & Environment

REACH Date	05.11.2025
REACH Info	Conformable
RoHS Info	Conformable

### Origin & International Trade

Country of origin	DE
Customs tariff number	73089059

### Related items

#### Connector

Model No.	Description
LST 26.030	Splice plate with flat plug, for height 26 mm, width 30 mm, brass
LSTA 26.030	Splice plate with flat plug, for height 26 mm, width 30 mm, brass