

Cable Trunking

with perforated bottom, incl. cover

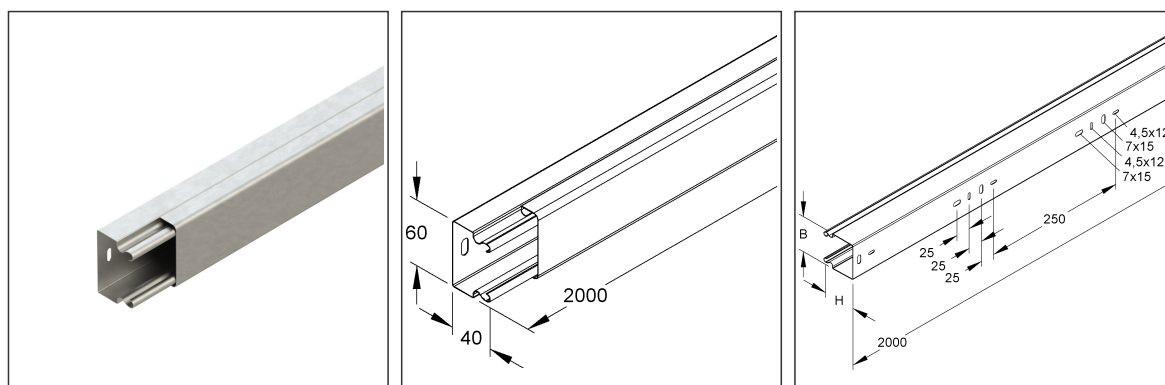
LLK 40.060 E3

EAN Code: 4013339520305

Smallest packaging unit: 6 x 2 m

quantity unit: m M

the photorealistic images are to be considered as reference images



Article Description

Cable trunking with cover, 40x60x2000 mm, stainless steel, material code: 1.4301, AISI 304

Additional Price Information

Article group	N16
quantity unit	m

Weight

Weight per quantity unit	1,333 kg / m
Weight in kg per 100	133 kg / 100m

Physical Article Dimensions

Height	60.00 mm
Width	40.60 mm
Depth/length	2000 mm

Technical Datasheet

Cable protection duct

LLK 40.060 E3

the photorealistic images are to be considered as reference images

Packing Dimension

12 meters = 1		✓ VP1-smallest packaging unit (PU)		✓ VP1-preferred PU	
Lenght	2020 mm	Width	150.00 mm	Height	106.00 mm
Gross weight	17 kg	Volume	0,032 m ³		
Min. quantity	12.00 m	Max. Quantity	12.00 m		

576 meters = 1 rack					
Lenght	2000 mm	Width	1162 mm	Height	1120 mm
Gross weight	896 kg	Volume	2,603 m ³		
Min. Quantity	576.00 m	Max. Quantity	576.00 m		

Tender Text

<p>Cable trunking, with snap-on cover and single-row fastening perforation and additional offset round perforation in the duct base, the equipotential bonding of the covers is automatic when snapped on, accessories for equipotential bonding, two splice plates LST...E3 per joint, must be ordered separately.</p> <p>Dimensions (approx. dimensions) Height H x width W : 40 x 60 mm single row bottom perforation : 4.2 x 12 and 7 x 15 mm row distance : 50 mm Bottom perforation distance grid dimension : 250 mm Delivery length L : 2000 mm Usable cross section : 1982 mm² Material : stainless steel, material no. 1.4301, AISI 304 NIEDAX model no. : LLK 40.060 E3 EP material_____ EP wage_____ Unit price/meter</p>

Safety & Environment

REACH Date	05.11.2025
REACH Info	Conformable
RoHS Info	Conformable

Origin & International Trade

Country of origin	DE
Customs tariff number	73089059

Related items

Connector

Model No.	Description
LST 40 E3	Splice plate with flat plug, for height 40 mm, stainless steel, material code: 1.4301, AISI 304