

## Cable Trunking

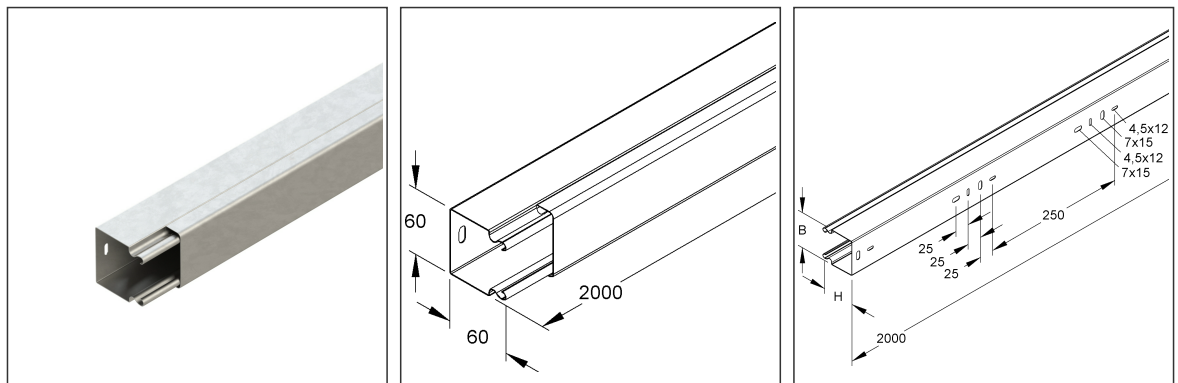
with perforated bottom, incl. cover

### LLK 60.060 E3

EAN Code: 4013339520404

Smallest packaging unit: 6 x 2 m  
 quantity unit: m M

the photorealistic images are to be considered as reference images



### Article Description

Cable trunking with cover, 60x60x2000 mm, stainless steel, material code: 1.4301, AISI 304

### Additional Price Information

Article group	N16
quantity unit	m

### Weight

Weight per quantity unit	1,752 kg / m
Weight in kg per 100	175 kg / 100m

### Physical Article Dimensions

Height	60.00 mm
Width	60.60 mm
Depth/length	2000 mm

# Technical Datasheet

## Cable protection duct

LLK 60.060 E3

the photorealistic images are to be considered as reference images

### Packing Dimension

<b>12 meters = 1</b>		✓ VP1-smallest packaging unit ( PU)		✓ VP1-preferred PU	
Lenght	2020 mm	Width	150.00 mm	Height	125.00 mm
Gross weight	22 kg	Volume	0,038 m <sup>3</sup>		
Min. quantity	12.00 m	Max. Quantity	12.00 m		

<b>432 meters = 1 rack</b>					
Lenght	2000 mm	Width	1162 mm	Height	1120 mm
Gross weight	878 kg	Volume	2,603 m <sup>3</sup>		
Min. Quantity	432.00 m	Max. Quantity	432.00 m		

### Tender Text

Cable trunking, with snap-on cover and single-row fastening perforation in the duct bottom, the equipotential bonding of the covers takes place automatically when snapped on, accessories for equipotential bonding, two splice plates LST...E3 per joint, must be ordered separately.

Dimensions (approx. dimensions)

Height H x width W : 60 x 60 mm

single row bottom perforation : 4.2 x 12 mm and  
7 x 15 mm

central row distance : 50 mm

Bottom hole distance grid dimension : 250 mm

Delivery length L : 2000 mm

Usable cross section : 3182 mm<sup>2</sup>

Material : stainless steel, material no. 1.4301, AISI 304

NIEDAX model no. : LLK 60.060 E3

EP material \_\_\_\_\_ EP wage \_\_\_\_\_

Unit price/meter

### Safety & Environment

REACH Date	05.11.2025
REACH Info	Conformable
RoHS Info	Conformable

### Origin & International Trade

Country of origin	DE
Customs tariff number	73089059

### Related items

#### Barrier strip

Model No.	Description
TPH 60 E3	Barrier profile holder, channel depth 59 mm, stainless steel, material code: 1.4301, AISI 304
TPS 50 E3	Barrier strip, height 11 mm, depth 50 mm, length 1996 mm, stainless steel, material code: 1.4301, AISI 304

# Technical Datasheet

## Cable protection duct

LLK 60.060 E3

the photorealistic images are to be considered as reference images

### Related items

#### Connector

Model No.	Description
LST 60 E3	Splice plate with flat plug, for height 60 mm, stainless steel, material code: 1.4301, AISI 304