

Cable Trunking

with perforated bottom, incl. cover

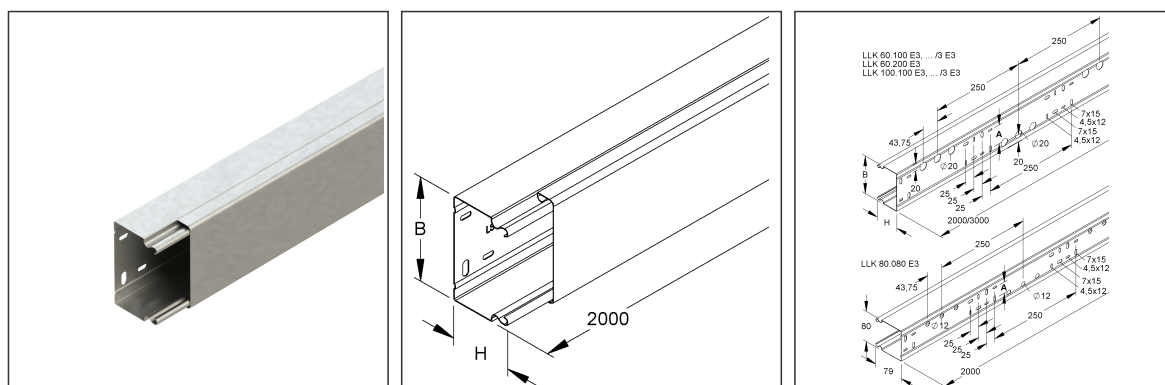
LLK 60.100 E3

EAN Code: 4013339520503

Smallest packaging unit: 4 x 2 m

quantity unit: m M

the photorealistic images are to be considered as reference images



Article Description

Cable trunking with cover, 60x100x2000 mm, stainless steel, material code: 1.4301, AISI 304

Additional Price Information

Article group	N16
quantity unit	m

Weight

Weight per quantity unit	2,495 kg / m
Weight in kg per 100	250 kg / 100m

Physical Article Dimensions

Height	100.00 mm
Width	60.80 mm
Depth/length	2000 mm

Technical Datasheet

Cable protection duct

LLK 60.100 E3

the photorealistic images are to be considered as reference images

Packing Dimension

8 meters = 1		✓ VP1-smallest packaging unit (PU)		✓ VP1-preferred PU	
Lenght	2020 mm	Width	230 mm	Height	85.00 mm
Gross weight	21 kg	Volume	0,039 m ³		
Min. quantity	8.00 m	Max. Quantity	8.00 m		

320 meters = 1 rack					
Lenght	2000 mm	Width	1162 mm	Height	1120 mm
Gross weight	925 kg	Volume	2,603 m ³		
Min. Quantity	320.00 m	Max. Quantity	320.00 m		

Tender Text

Cable trunking, with snap-on cover and double-row fastening perforation and additional offset round perforation in the duct base, the equipotential bonding of the covers is automatic when snapped on, accessories for equipotential bonding, two splice plates LST...E3 per joint, must be ordered separately.

Dimensions (approx. dimensions)

Height H x width W : 60 x 100 mm

double row bottom perforation : 2x (7 x 15) and 2x (4.5 x 12) mm

Row distance : 50 mm

Bottom hole distance grid dimension : 250 mm

offset round bottom perforation : Ø 20 mm

Row distance : 60 mm

Round bottom perforation distance : 250 mm

Delivery length L : 2000 mm

Usable cross section : 5582 mm²

Material : stainless steel, material no. 1.4301, AISI 304

NIEDAX model no. : LLK 60.100 E3

EP material_____ EP wage_____

Unit price/meter

Safety & Environment

REACH Date	05.11.2025
REACH Info	Conformable
RoHS Info	Conformable

Origin & International Trade

Country of origin	DE
Customs tariff number	73089059

Technical Datasheet

Cable protection duct

LLK 60.100 E3

the photorealistic images are to be considered as reference images

Related items

Barrier strip

Model No.	Description
LZTP 100 E3	Barrier profile holder with strain relief, channel depth 99 mm, stainless steel, material code: 1.4301, AISI 304
TPS 50 E3	Barrier strip, height 11 mm, depth 50 mm, length 1996 mm, stainless steel, material code: 1.4301, AISI 304

Connector

Model No.	Description
LST 60 E3	Splice plate with flat plug, for height 60 mm, stainless steel, material code: 1.4301, AISI 304