

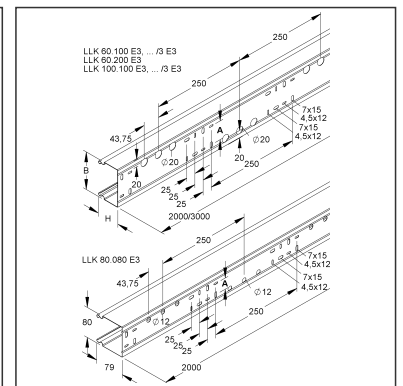
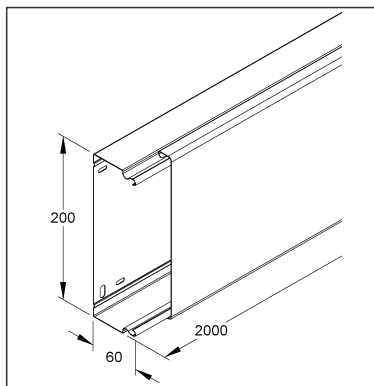
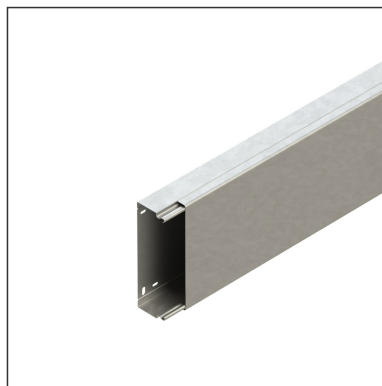
## Cable Trunking

with perforated bottom, incl. cover

### LLK 60.200 E3

EAN Code: 4013339520602  
 Smallest packaging unit: 2 x 2 m  
 quantity unit: m M

the photorealistic images are to be considered as reference images



### Article Description

Cable trunking with cover, 60x200x2000 mm, stainless steel, material code: 1.4301, AISI 304

### Additional Price Information

Article group	N16
quantity unit	m

### Weight

Weight per quantity unit	3,759 kg / m
Weight in kg per 100	376 kg / 100m

### Physical Article Dimensions

Height	200.00 mm
Width	60.90 mm
Depth/length	2000 mm

# Technical Datasheet

## Cable protection duct

LLK 60.200 E3

the photorealistic images are to be considered as reference images

### Packing Dimension

<b>4 meters = 1</b>		✓ VP1-smallest packaging unit ( PU)		✓ VP1-preferred PU	
Lenght	2020 mm	Width	220 mm	Height	90.00 mm
Gross weight	16 kg	Volume	0,040 m <sup>3</sup>		
Min. quantity	4.00 m	Max. Quantity	4.00 m		
<b>176 meters = 1 rack</b>					
Lenght	2000 mm	Width	1162 mm	Height	1120 mm
Gross weight	793 kg	Volume	2,603 m <sup>3</sup>		
Min. Quantity	176.00 m	Max. Quantity	176.00 m		

### Tender Text

<p>Cable trunking, with snap-on cover and double-row fastening perforation and additional offset round perforation in the duct base, the equipotential bonding of the covers is automatic when snapped on, accessories for equipotential bonding, two splice plates LST...E3 per joint, must be ordered separately.</p> <p>Dimensions (approx. dimensions)            Height H x width W : 60 x 200 mm            double row bottom perforation : 2x (7 x 15) and 2x (4.5 x 12) mm            Row distance : 150 mm            Bottom hole distance grid dimension : 250 mm            offset round bottom perforation : Ø 20 mm            Row distance : 160 mm            Round bottom perforation distance : 250 mm            Delivery length L : 2000 mm            Usable cross section : 5582 mm<sup>2</sup>            Material : stainless steel, material no. 1.4301, AISI 304            NIEDAX model no. : LLK 60.200 E3            EP material_____ EP wage_____            Unit price/meter</p>
--

### Safety & Environment

REACH Date	05.11.2025
REACH Info	Conformable
RoHS Info	Conformable

### Origin & International Trade

Country of origin	DE
Customs tariff number	73089059

# Technical Datasheet

## Cable protection duct

LLK 60.200 E3

the photorealistic images are to be considered as reference images

### Related items

#### Barrier strip

Model No.	Description
LZTP 200 E3	Barrier profile holder with strain relief, channel depth 199 mm, stainless steel, material code: 1.4301, AISI 304
TPS 50 E3	Barrier strip, height 11 mm, depth 50 mm, length 1996 mm, stainless steel, material code: 1.4301, AISI 304

#### Connector

Model No.	Description
LST 60 E3	Splice plate with flat plug, for height 60 mm, stainless steel, material code: 1.4301, AISI 304