

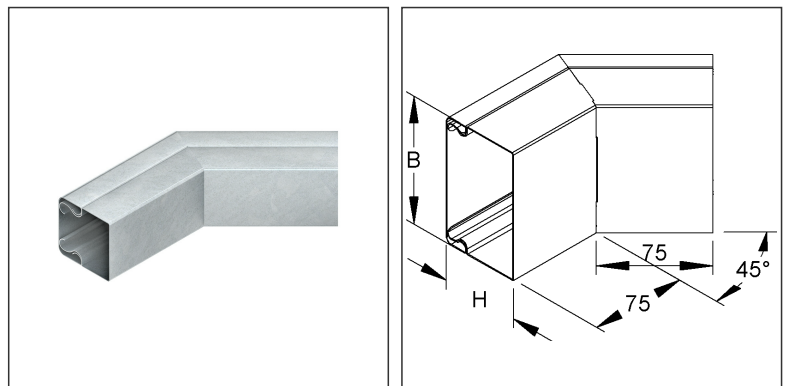
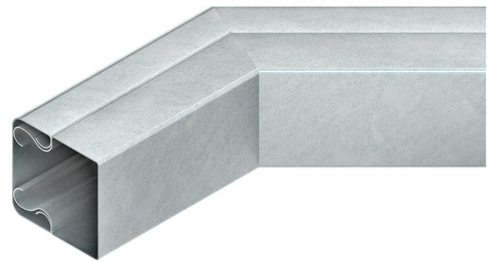
**Outside Elbow 45°**

incl. cover

**LUAB 60.060 E3**

EAN Code: 4013339522101  
 Smallest packaging unit: 1 pc.

the photorealistic images are to be considered as reference images



**Article Description**

Outside elbow 45° with cover, 60x60 mm, stainless steel, material code: 1.4301, AISI 304

**Additional Price Information**

Article group	N16
quantity unit	pcs.

**Weight**

Weight per quantity unit	366 g / pcs.
Weight in kg per 100	37 kg / 100pcs.

**Physical Article Dimensions**

Height	60.00 mm
Width	114.00 mm
Depth/length	171.00 mm

# Technical Datasheet

## Cable protection duct

LUAB 60.060 E3

the photorealistic images are to be considered as reference images

### Packing Dimension

<b>1 piece = 1 piece</b>		✓ VP1-smallest packaging unit ( PU)		✓ VP1-preferred PU	
Lenght	171.00 mm	Width	114.00 mm	Height	60.00 mm
Gross weight	0,37 kg	Volume	0,001 m <sup>3</sup>		
Min. quantity	1.00 pcs.	Max. Quantity	1.00 pcs.		

### Tender Text

Cable trunking outside elbow 45°, with snap-on cover, duct bottom part unperforated, the equipotential bonding of the covers is carried out automatically when snapping on, accessories for equipotential bonding, two splice plates LST...E3 per joint, must be ordered separately.  
Used for: cable trunkings LLK...  
LUK...  
Dimensions (approx. dimensions)  
Height H x width W : 60 x 60 mm  
Leg length inside : 75 mm  
Material : stainless steel, Material No. 1.4301, AISI 304  
NIEDAX Model No. : LUAB 60.060 E3  
EP Material\_\_\_\_\_ EP Wage\_\_\_\_\_  
Unit price/piece

### Safety & Environment

REACH Date	05.11.2025
REACH Info	Conformable
RoHS Info	Conformable

### Origin & International Trade

Country of origin	DE
Customs tarif number	73089059