

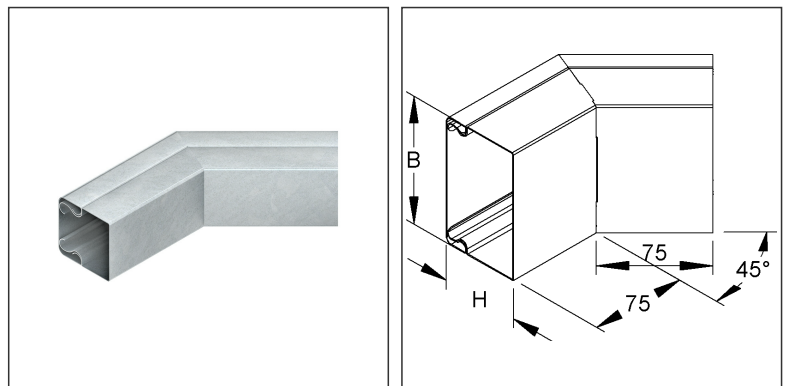
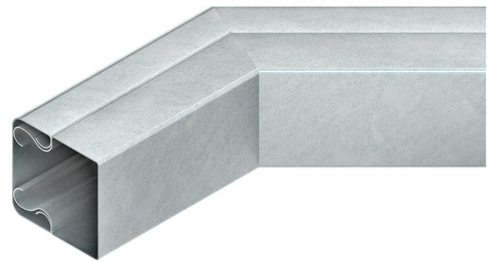
Outside Elbow 45°

incl. cover

LUAB 60.150

EAN Code: 4013339513000
 Smallest packaging unit: 4 pcs.

the photorealistic images are to be considered as reference images



Article Description

Outside elbow 45° with cover, 60x150 mm, steel, pre-galvanised according to DIN EN 10346

Additional Price Information

| | |
|---------------|------|
| Article group | N16 |
| quantity unit | pcs. |

Weight

| | |
|--------------------------|-----------------|
| Weight per quantity unit | 639 g / pcs. |
| Weight in kg per 100 | 64 kg / 100pcs. |

Physical Article Dimensions

| | |
|--------------|-----------|
| Height | 150.00 mm |
| Width | 114.00 mm |
| Depth/length | 171.00 mm |

Technical Datasheet

Cable protection duct

LUAB 60.150

the photorealistic images are to be considered as reference images

Packing Dimension

| | | | | | |
|----------------------------|-----------|-------------------------------------|----------------------|--------|-----------|
| 1 piece = 1 piece | | ✓ VP1-smallest packaging unit (PU) | | | |
| Lenght | 171.00 mm | Width | 114.00 mm | Height | 150.00 mm |
| Gross weight | 0,64 kg | Volume | 0,003 m ³ | | |
| Min. quantity | 1.00 pcs. | Max. Quantity | 1.00 pcs. | | |
| 4 pieces = 1 carton | | ✓ VP2-preferred PU | | | |
| Lenght | 350 mm | Width | 180.00 mm | Height | 110.00 mm |
| Gross weight | 2,88 kg | Volume | 0,007 m ³ | | |
| Min. Quantity | 4.00 pcs. | Max. Quantity | 4.00 pcs. | | |

Tender Text

Cable trunking outside elbow 45°, with snap-on cover, duct bottom part unperforated, the equipotential bonding of the covers is carried out automatically when snapping on, accessories for equipotential bonding, two splice plates LST... per joint, must be ordered separately.
 VDE certified!
 Used for: cable trunkings LLK...
 LUK...
 Dimensions (approx. dimensions)
 Height H x width W : 60 x 150 mm
 Leg length inside : 75 mm
 Material : steel, pre-galvanised acc. to DIN EN 10346
 NIEDAX Model No. : LUAB 60.150
 EP Material _____ EP Lohn _____
 Unit price/piece

Safety & Environment

| | |
|------------|-------------|
| REACH Date | 05.11.2025 |
| REACH Info | Conformable |
| RoHS Info | Conformable |

Origin & International Trade

| | |
|-----------------------|----------|
| Country of origin | DE |
| Customs tariff number | 73089059 |