

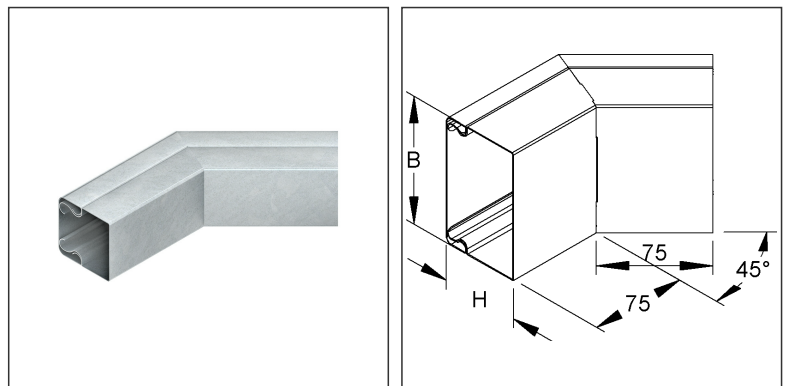
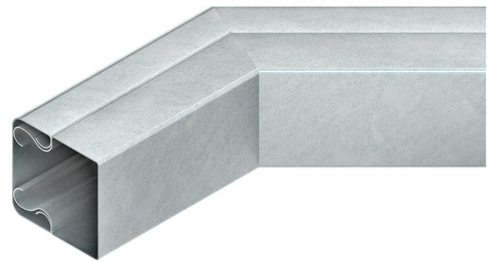
**Outside Elbow 45°**

incl. cover

**LUAB 60.200 E3**

EAN Code: 4013339522309  
 Smallest packaging unit: 1 pc.

the photorealistic images are to be considered as reference images



**Article Description**

Outside elbow 45° with cover, 60x200 mm, stainless steel, material code: 1.4301, AISI 304

**Additional Price Information**

Article group	N16
quantity unit	pcs.

**Weight**

Weight per quantity unit	691 g/ pcs.
Weight in kg per 100	69 kg/ 100pcs.

**Physical Article Dimensions**

Height	200.00 mm
Width	114.00 mm
Depth/length	171.00 mm

# Technical Datasheet

## Cable protection duct

LUAB 60.200 E3

the photorealistic images are to be considered as reference images

### Packing Dimension

<b>1 piece = 1 piece</b>		✓ VP1-smallest packaging unit ( PU)	✓ VP1-preferred PU		
Lenght	171.00 mm	Width	114.00 mm	Height	200.00 mm
Gross weight	0,69 kg	Volume	0,004 m <sup>3</sup>		
Min. quantity	1.00 pcs.	Max. Quantity	1.00 pcs.		

### Tender Text

Cable trunking outside elbow 45°, with snap-on cover, duct bottom part unperforated, the equipotential bonding of the covers is carried out automatically when snapping on, accessories for equipotential bonding, two splice plates LST...E3 per joint, must be ordered separately.  
fUsed for: cable trunkings LLK...  
LUK...  
Dimensions (approx. dimensions)  
Height H x width W : 60 x 200 mm  
Leg length inside : 75 mm  
Material : stainless steel, Material No. 1.4301, AISI 304  
NIEDAX Model No. : LUAB 60.200 E3  
EP Material\_\_\_\_\_ EP Wage\_\_\_\_\_  
Unit price/piece

### Safety & Environment

REACH Date	05.11.2025
REACH Info	Conformable
RoHS Info	Conformable

### Origin & International Trade

Country of origin	DE
Customs tarif number	73089059