

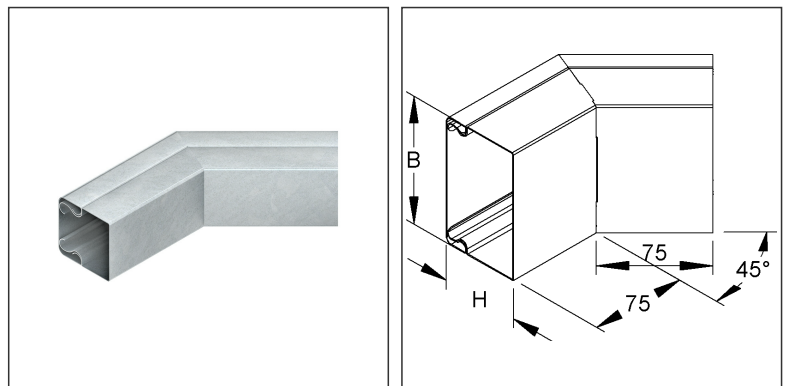
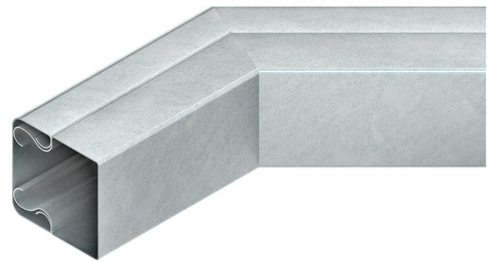
Outside Elbow 45°

incl. cover

LUAB 80.080 E3

EAN Code: 4013339522323
 Smallest packaging unit: 1 pc.

the photorealistic images are to be considered as reference images



Article Description

Outside elbow 45° with cover, 80x80 mm, stainless steel, material code: 1.4301, AISI 304

Additional Price Information

Article group	N16
quantity unit	pcs.

Weight

Weight per quantity unit	478 g / pcs.
Weight in kg per 100	48 kg / 100pcs.

Physical Article Dimensions

Height	80.00 mm
Width	133.00 mm
Depth/length	184.00 mm

Technical Datasheet

Cable protection duct

LUAB 80.080 E3

the photorealistic images are to be considered as reference images

Packing Dimension

1 piece = 1 piece		✓ VP1-smallest packaging unit (PU)	✓ VP1-preferred PU		
Lenght	184.00 mm	Width	133.00 mm	Height	80.00 mm
Gross weight	0,48 kg	Volume	0,002 m³		
Min. quantity	1.00 pcs.	Max. Quantity	1.00 pcs.		

Tender Text

Cable trunking outside elbow 45°, with snap-on cover, duct bottom part unperforated, the equipotential bonding of the covers is carried out automatically when snapping on, accessories for equipotential bonding, two splice plates LST...E3 per joint, must be ordered separately.
Used for: cable trunkings LLK...
LUK...
Dimensions (approx. dimensions)
Height H x width W : 80 x 80 mm
Leg length inside : 75 mm
Material : stainless steel, Material No. 1.4301, AISI 304
NIEDAX Model No. : LUAB 80.080 E3
EP Material_____ EP Wage_____
Unit price/piece

Safety & Environment

REACH Date	05.11.2025
REACH Info	Conformable
RoHS Info	Conformable

Origin & International Trade

Country of origin	DE
Customs tarif number	73089059