

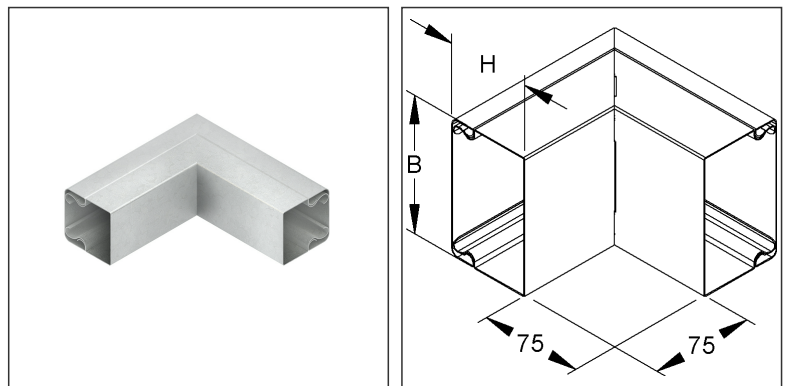
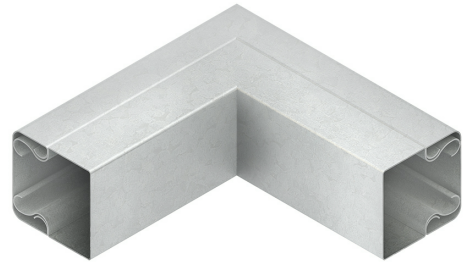
Outside Elbow 90°

incl. cover

LUAC 100.100 E3

EAN Code: 4013339523566
 Smallest packaging unit: 1 pc.

the photorealistic images are to be considered as reference images



Article Description

Outside elbow 90° with cover, 100x100 mm, stainless steel, material code: 1.4301, AISI 304

Additional Price Information

Article group	N16
quantity unit	pcs.

Weight

Weight per quantity unit	805 g / pcs.
Weight in kg per 100	80 kg / 100pcs.

Physical Article Dimensions

Height	100.00 mm
Width	175.00 mm
Depth/length	175.00 mm

Technical Datasheet

Cable protection duct

LUAC 100.100 E3

the photorealistic images are to be considered as reference images

Packing Dimension

1 piece = 1 piece		✓ VP1-smallest packaging unit (PU)	✓ VP1-preferred PU		
Lenght	175.00 mm	Width	175.00 mm	Height	100.00 mm
Gross weight	0,8 kg	Volume	0,003 m ³		
Min. quantity	1.00 pcs.	Max. Quantity	1.00 pcs.		

Tender Text

Cable trunking vertical outside 90°, with snap-on cover, duct bottom part unperforated, the equipotential bonding of the covers is carried out automatically when snapping on, accessories for equipotential bonding, two splice plates LST...E3 per joint, must be ordered separately.
Used for: cable trunkings LLK...
LUK...
Dimensions (approx. dimensions)
Height H x Width W : 100 x 100 mm
Leg length inside : 75 mm
Material : stainless steel, material No. 1.4301, AISI 304
NIEDAX Model No. : LUAC 100.100 E3
EP Material_____ EP Wage_____
Unit price/piece

Safety & Environment

REACH Date	05.11.2025
REACH Info	Conformable
RoHS Info	Conformable

Origin & International Trade

Country of origin	DE
Customs tarif number	73089059