

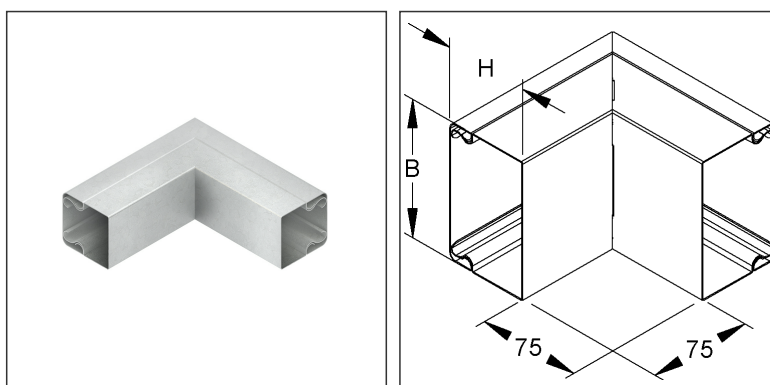
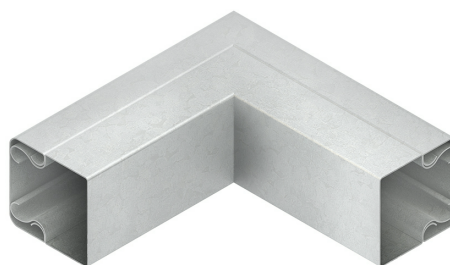
**Outside Elbow 90°**

incl. cover

**LUAC 40.040 E3**

EAN Code: 4013339523160  
 Smallest packaging unit: 1 pc.

the photorealistic images are to be considered as reference images



**Article Description**

Outside elbow 90° with cover, 40x40 mm, stainless steel, material code: 1.4301, AISI 304

**Additional Price Information**

Article group	N16
quantity unit	pcs.

**Weight**

Weight per quantity unit	188 g / pcs.
Weight in kg per 100	19 kg / 100pcs.

**Physical Article Dimensions**

Height	40.00 mm
Width	116.00 mm
Depth/length	116.00 mm

# Technical Datasheet

## Cable protection duct

LUAC 40.040 E3

the photorealistic images are to be considered as reference images

### Packing Dimension

<b>1 piece = 1 piece</b>		✓ VP1-smallest packaging unit ( PU)			
Lenght	116.00 mm	Width	116.00 mm	Height	40.00 mm
Gross weight	0,19 kg	Volume	0,001 m <sup>3</sup>		
Min. quantity	1.00 pcs.	Max. Quantity	1.00 pcs.		

### Tender Text

Cable trunking vertical outside 90°, with snap-on cover, duct bottom part unperforated, the equipotential bonding of the covers is carried out automatically when snapping on, accessories for equipotential bonding, two splice plates LST...E3 per joint, must be ordered separately.  
Used for: cable trunkings LLK...  
LUK...  
Dimensions (approx. dimensions)  
Height H x width W : 40 x 40 mm  
Leg length inside : 75 mm  
Material : stainless steel, material No. 1.4301, AISI 304  
NIEDAX Model No. : LUAC 40.040 E3  
EP Material\_\_\_\_\_ EP Wage\_\_\_\_\_  
Unit price/piece

### Safety & Environment

REACH Date	05.11.2025
REACH Info	Conformable
RoHS Info	Conformable

### Origin & International Trade

Country of origin	DE
Customs tarif number	73089059