

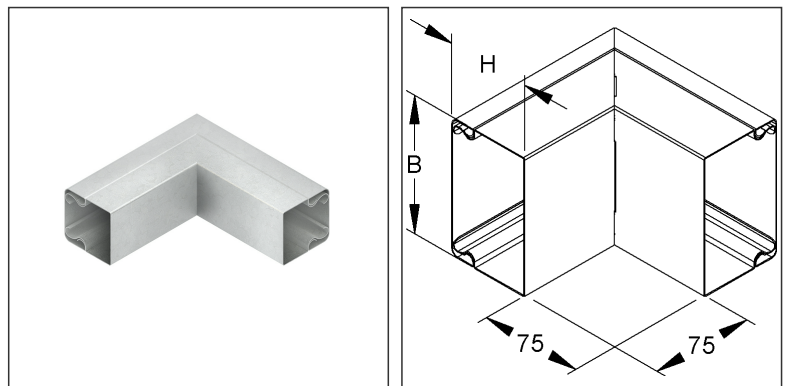
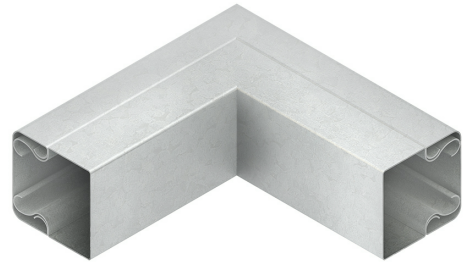
**Outside Elbow 90°**

incl. cover

**LUAC 80.080**

EAN Code: 4013339791903  
 Smallest packaging unit: 8 pcs.

the photorealistic images are to be considered as reference images



**Article Description**

Outside elbow 90° with cover, 80x80 mm, steel, pre-galvanised according to DIN EN 10346

**Additional Price Information**

Article group	N16
quantity unit	pcs.

**Weight**

Weight per quantity unit	573 g / pcs.
Weight in kg per 100	57 kg / 100pcs.

**Physical Article Dimensions**

Height	80.00 mm
Width	155.00 mm
Depth/length	155.00 mm

# Technical Datasheet

## Cable protection duct

LUAC 80.080

the photorealistic images are to be considered as reference images

### Packing Dimension

<b>1 piece = 1 piece</b>		✓ VP1-smallest packaging unit ( PU)			
Lenght	155.00 mm	Width	155.00 mm	Height	80.00 mm
Gross weight	0,57 kg	Volume	0,002 m³		
Min. quantity	1.00 pcs.	Max. Quantity	1.00 pcs.		
<b>8 pieces = 1 carton</b>		✓ VP2-preferred PU			
Lenght	350 mm	Width	250 mm	Height	145.00 mm
Gross weight	5,14 kg	Volume	0,013 m³		
Min. Quantity	8.00 pcs.	Max. Quantity	8.00 pcs.		

### Tender Text

Cable trunking vertical outside 90°, with snap-on cover, duct bottom part unperforated, the equipotential bonding of the covers is carried out automatically when snapped on, accessories for equipotential bonding, two splice plates LST... per joint, must be ordered separately.  
 VDE certified!  
 Used for: cable trunkings LLK...  
 LUK...  
 Dimensions (approx. dimensions)  
 Height H x width W : 80 x 80 mm  
 Leg length inside : 75 mm  
 Material : steel,pre-galvanised acc. to DIN EN 10346  
 NIEDAX Model No. : LUAC 80.080  
 EP Material\_\_\_\_\_ EP Wage\_\_\_\_\_  
 Unit price/piece

### Safety & Environment

REACH Date	05.11.2025
REACH Info	Conformable
RoHS Info	Conformable

### Origin & International Trade

Country of origin	DE
Customs tariff number	73089059