

**Industrial Duct**

unperforated, but with screw connector perforation, without cover

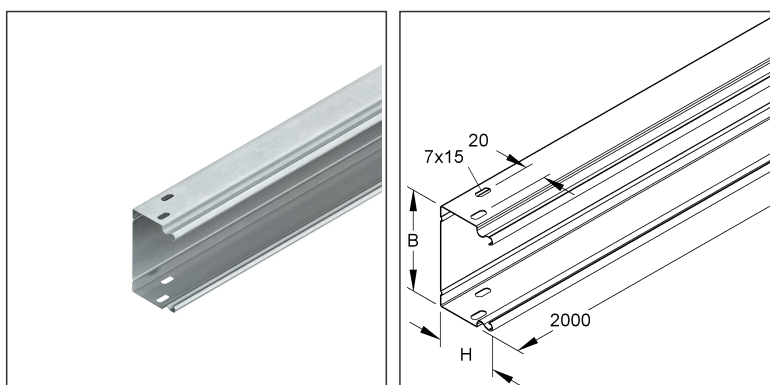
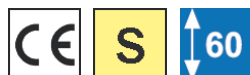
**LUE 60.060**

EAN Code: 4013339532728

Smallest packaging unit:2 m

quantity unit:m M

the photorealistic images are to be considered as reference images



**Article Description**

Industrial duct without cover, 60x60x2000 mm, steel, pre-galvanised according to DIN EN 10346

**Additional Price Information**

Article group	N16
quantity unit	m

**Weight**

Weight per quantity unit	1,206 kg/ m
Weight in kg per 100	121 kg/ 100m

**Physical Article Dimensions**

Height	60.00 mm
Width	60.00 mm
Depth/length	2000 mm

# Technical Datasheet

## Cable protection duct

LUE 60.060

the photorealistic images are to be considered as reference images

### Packing Dimension

<b>2 meters = 1 piece</b>		✓ VP1-smallest packaging unit ( PU)		✓ VP1-preferred PU	
Lenght	2000 mm	Width	60.00 mm	Height	60.00 mm
Gross weight	2,41 kg	Volume	0,007 m <sup>3</sup>		
Min. quantity	2.00 m	Max. Quantity	2.00 m		

### Tender Text

Industrial duct, duct bottom part unperforated but with offset screw connector perforations in the sides, without cover, accessories for equipotential bonding, two splice plates LIV 60 per joint, must be ordered separately.  
 VDE certified!  
 Dimensions (approx. dimensions) H x W : 60 x 60 mm  
 Delivery length L : 2000 mm  
 Usable cross-section : 3182 mm<sup>2</sup>  
 Material : steel, pre-galvanised acc. to DIN EN 10346  
 NIEDAX Model No. : LUE 60.060  
 EP Material \_\_\_\_\_ EP Wage \_\_\_\_\_  
 Unit price/meter

### Safety & Environment

REACH Date	05.11.2025
REACH Info	Conformable
RoHS Info	Conformable

### Origin & International Trade

Country of origin	DE
Customs tarif number	73089059

### Related items

#### Cover

Model No.	Description
LD 60	Cable trunking cover, 60x2000 mm, steel, pre-galvanised according to DIN EN 10346

#### Barrier strip

Model No.	Description
RW 60	Barrier strip, 55x3000 mm, t=0,75 mm, steel, pre-galvanised according to DIN EN 10346, incl. accessories
TPH 60	Barrier profile holder, channel depth 59 mm, steel, pre-galvanised according to DIN EN 10346
TPS 50	Barrier strip, height 11 mm, depth 50 mm, length 1996 mm, steel, pre-galvanised according to DIN EN 10346

# Technical Datasheet

## Cable protection duct

LUE 60.060

the photorealistic images are to be considered as reference images

### Related items

#### Connector

Model No.	Description
LIV 60	Universal-splice plate, asymmetrical, steel, pre-galvanised according to DIN EN 10346, incl. accessories