

## Cable Trunking

without bottom perforation, with cover

### LUK 40.040 E3

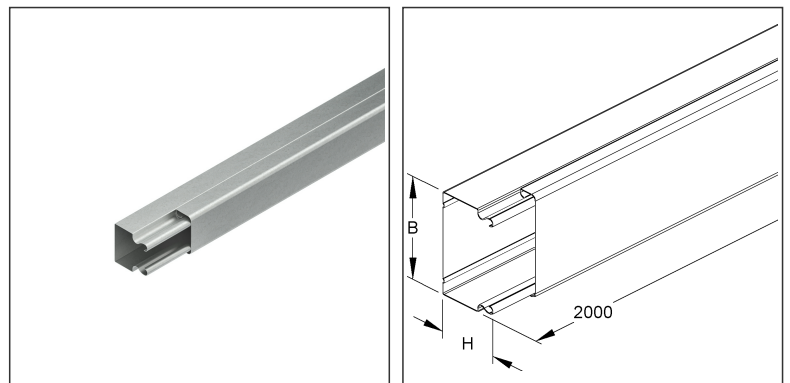
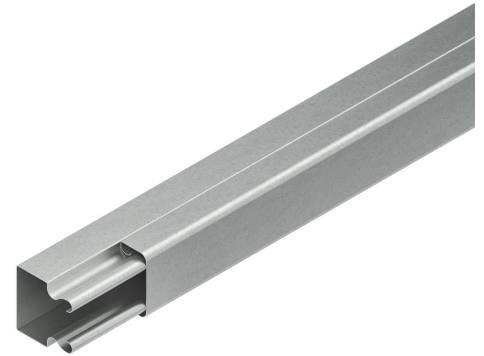
EAN Code: 4013339519880

Smallest packaging unit: 12 x 2 m

quantity unit: m M



the photorealistic images are to be considered as reference images



### Article Description

Cable trunking with cover, 40x40x2000 mm, stainless steel, material code: 1.4301, AISI 304

### Additional Price Information

Article group	N16
quantity unit	m

### Weight

Weight per quantity unit	995 g / m
Weight in kg per 100	99 kg / 100m

### Physical Article Dimensions

Height	40.00 mm
Width	40.50 mm
Depth/length	2000 mm

# Technical Datasheet

## Cable protection duct

LUK 40.040 E3

the photorealistic images are to be considered as reference images

### Packing Dimension

<b>24 meters = 1</b>		✓ VP1-smallest packaging unit ( PU)		✓ VP1-preferred PU	
Lenght	2020 mm	Width	155.00 mm	Height	126.00 mm
Gross weight	25 kg	Volume	0,039 m <sup>3</sup>		
Min. quantity	24.00 m	Max. Quantity	24.00 m		
<b>864 meters = 1 rack</b>					
Lenght	2000 mm	Width	1162 mm	Height	1120 mm
Gross weight	981 kg	Volume	2,603 m <sup>3</sup>		
Min. Quantity	864.00 m	Max. Quantity	864.00 m		

### Tender Text

Cable trunking, unperforated, with snap-on cover, the equipotential bonding of the covers takes place automatically when snapped on, accessories for equipotential bonding, two splice plates LST...E3 per joint, must be ordered separately.

Dimensions (approx. dimensions)

Height H x Width W : 40 x 40 mm

Delivery length L : 2000 mm

Usable cross-section : 1182 mm<sup>2</sup>

Material : stainless steel, material no. 1.4301, AISI 304

NIEDAX Model No. : LUK 40.040 E3

EP Material \_\_\_\_\_ EP Wage \_\_\_\_\_

Unit price/meter

### Safety & Environment

REACH Date	05.11.2025
REACH Info	Conformable
RoHS Info	Conformable

### Origin & International Trade

Country of origin	DE
Customs tariff number	73089059

### Related items

#### Connector

Model No.	Description
LST 40 E3	Splice plate with flat plug, for height 40 mm, stainless steel, material code: 1.4301, AISI 304