

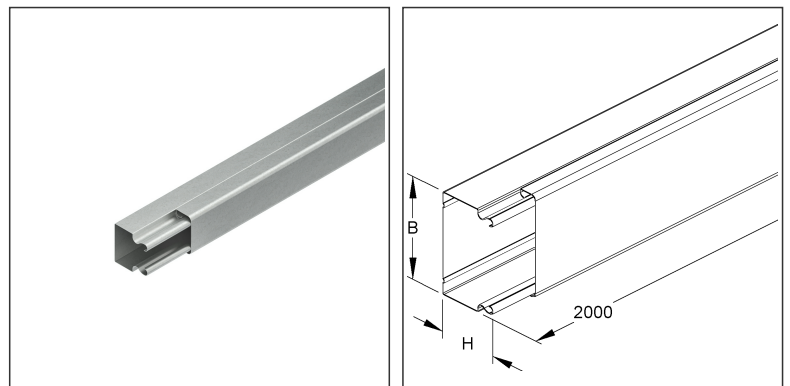
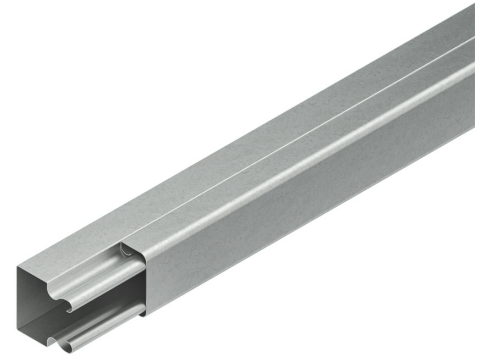
Cable Trunking

without bottom perforation, with cover

LUK 40.060 E3

EAN Code: 4013339519903
 Smallest packaging unit: 6 x 2 m
 quantity unit: m M

the photorealistic images are to be considered as reference images



Article Description

Cable trunking with cover, 40x60x2000 mm, stainless steel, material code: 1.4301, AISI 304

Additional Price Information

Article group	N16
quantity unit	m

Weight

Weight per quantity unit	1,338 kg / m
Weight in kg per 100	134 kg / 100m

Physical Article Dimensions

Height	60.00 mm
Width	40.60 mm
Depth/length	2000 mm

Technical Datasheet

Cable protection duct

LUK 40.060 E3

the photorealistic images are to be considered as reference images

Packing Dimension

12 meters = 1		✓ VP1-smallest packaging unit (PU)		✓ VP1-preferred PU	
Lenght	2020 mm	Width	150.00 mm	Height	106.00 mm
Gross weight	17 kg	Volume	0,032 m ³		
Min. quantity	12.00 m	Max. Quantity	12.00 m		
576 meters = 1 rack					
Lenght	2000 mm	Width	1162 mm	Height	1120 mm
Gross weight	899 kg	Volume	2,603 m ³		
Min. Quantity	576.00 m	Max. Quantity	576.00 m		

Tender Text

Cable trunking, unperforated, with snap-on cover, the equipotential bonding of the covers takes place automatically when snapped on, accessories for equipotential bonding, two splice plates LST...E3 per joint, must be ordered separately.

Dimensions (approx. dimensions)

Height H x Width W : 40 x 60 mm

Delivery length L : 2000 mm

Usable cross-section : 1982 mm²

Material : stainless steel, material no. 1.4301, AISI 304

NIEDAX Model No. : LUK 40.060 E3

EP Material _____ EP Wage _____

Unit price/meter

Safety & Environment

REACH Date	05.11.2025
REACH Info	Conformable
RoHS Info	Conformable

Origin & International Trade

Country of origin	DE
Customs tariff number	73089059

Related items

Connector

Model No.	Description
LST 40 E3	Splice plate with flat plug, for height 40 mm, stainless steel, material code: 1.4301, AISI 304