

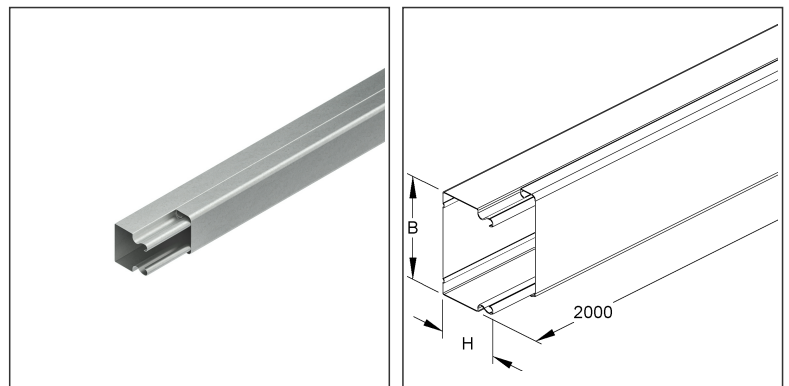
## Cable Trunking

without bottom perforation, with cover

### LUK 60.060 E3

EAN Code: 4013339520008  
 Smallest packaging unit: 6 x 2 m  
 quantity unit: m M

the photorealistic images are to be considered as reference images



### Article Description

Cable trunking with cover, 60x60x2000 mm, stainless steel, material code: 1.4301, AISI 304

### Additional Price Information

Article group	N16
quantity unit	m

### Weight

Weight per quantity unit	1,845 kg / m
Weight in kg per 100	184 kg / 100m

### Physical Article Dimensions

Height	60.00 mm
Width	60.60 mm
Depth/length	2000 mm

# Technical Datasheet

## Cable protection duct

LUK 60.060 E3

the photorealistic images are to be considered as reference images

### Packing Dimension

<b>12 meters = 1</b>		✓ VP1-smallest packaging unit ( PU)		✓ VP1-preferred PU	
Lenght	2020 mm	Width	150.00 mm	Height	125.00 mm
Gross weight	23 kg	Volume	0,038 m <sup>3</sup>		
Min. quantity	12.00 m	Max. Quantity	12.00 m		
<b>432 meters = 1 rack</b>					
Lenght	2000 mm	Width	1162 mm	Height	1120 mm
Gross weight	919 kg	Volume	2,603 m <sup>3</sup>		
Min. Quantity	432.00 m	Max. Quantity	432.00 m		

### Tender Text

Cable trunking, unperforated, with snap-on cover, the equipotential bonding of the covers takes place automatically when snapped on, accessories for equipotential bonding, two splice plates LST...E3 per joint, must be ordered separately.

Dimensions (approx. dimensions)

Height H x Width W : 60 x 60 mm

Delivery length L : 2000 mm

Usable cross-section : 3182 mm<sup>2</sup>

Material : stainless steel, material no. 1.4301, AISI 304

NIEDAX Model No. : LUK 60.060 E3

EP Material \_\_\_\_\_ EP Wage \_\_\_\_\_

Unit price/meter

### Safety & Environment

REACH Date	05.11.2025
REACH Info	Conformable
RoHS Info	Conformable

### Origin & International Trade

Country of origin	DE
Customs tariff number	73089059

### Related items

#### Barrier strip

Model No.	Description
TPH 60 E3	Barrier profile holder, channel depth 59 mm, stainless steel, material code: 1.4301, AISI 304
TPS 50 E3	Barrier strip, height 11 mm, depth 50 mm, length 1996 mm, stainless steel, material code: 1.4301, AISI 304

#### Connector

Model No.	Description
LST 60 E3	Splice plate with flat plug, for height 60 mm, stainless steel, material code: 1.4301, AISI 304