

Cable Trunking

without bottom perforation, with cover

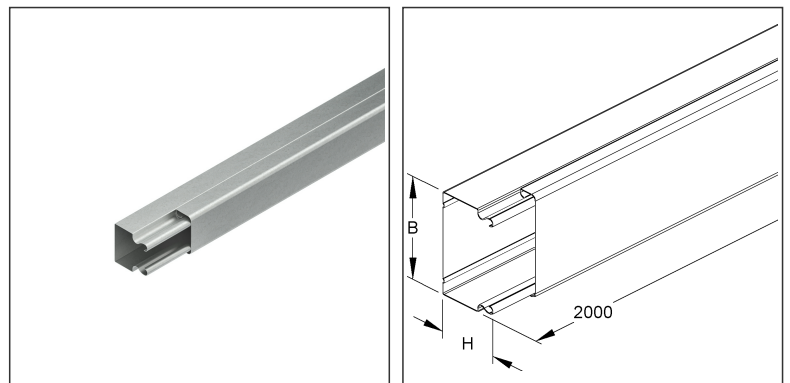
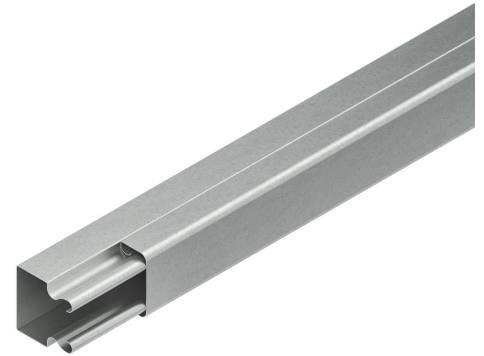
LUK 60.200 E3

EAN Code: 4013339520206

Smallest packaging unit: 2 x 2 m

quantity unit: m M

the photorealistic images are to be considered as reference images



Article Description

Cable trunking with cover, 60x200x2000 mm, stainless steel, material code: 1.4301, AISI 304

Additional Price Information

Article group	N16
quantity unit	m

Weight

Weight per quantity unit	3,799 kg / m
Weight in kg per 100	380 kg / 100m

Physical Article Dimensions

Height	200.00 mm
Width	60.80 mm
Depth/length	2000 mm

Technical Datasheet

Cable protection duct

LUK 60.200 E3

the photorealistic images are to be considered as reference images

Packing Dimension

4 meters = 1		✓ VP1-smallest packaging unit (PU)		✓ VP1-preferred PU	
Lenght	2020 mm	Width	220 mm	Height	90.00 mm
Gross weight	16 kg	Volume	0,040 m ³		
Min. quantity	4.00 m	Max. Quantity	4.00 m		
176 meters = 1 rack					
Lenght	2000 mm	Width	1162 mm	Height	1120 mm
Gross weight	800 kg	Volume	2,603 m ³		
Min. Quantity	176.00 m	Max. Quantity	176.00 m		

Tender Text

Cable trunking, unperforated, with snap-on cover, the equipotential bonding of the covers takes place automatically when snapped on, accessories for equipotential bonding, two splice plates LST...E3 per joint, must be ordered separately.

Dimensions (approx. dimensions)

Height H x Width W : 60 x 200 mm

Delivery length L : 2000 mm

Usable cross-section : 11582 mm²

Material : stainless steel, material no. 1.4301, AISI 304

NIEDAX Model No. : LUK 60.200 E3

EP Material _____ EP Wage _____

Unit price/meter

Safety & Environment

REACH Date	05.11.2025
REACH Info	Conformable
RoHS Info	Conformable

Origin & International Trade

Country of origin	DE
Customs tariff number	73089059

Related items

Barrier strip

Model No.	Description
LZTP 200 E3	Barrier profile holder with strain relief, channel depth 199 mm, stainless steel, material code: 1.4301, AISI 304
TPS 50 E3	Barrier strip, height 11 mm, depth 50 mm, length 1996 mm, stainless steel, material code: 1.4301, AISI 304

Technical Datasheet

Cable protection duct

LUK 60.200 E3

the photorealistic images are to be considered as reference images

Related items

Connector

Model No.	Description
LST 60 E3	Splice plate with flat plug, for height 60 mm, stainless steel, material code: 1.4301, AISI 304