

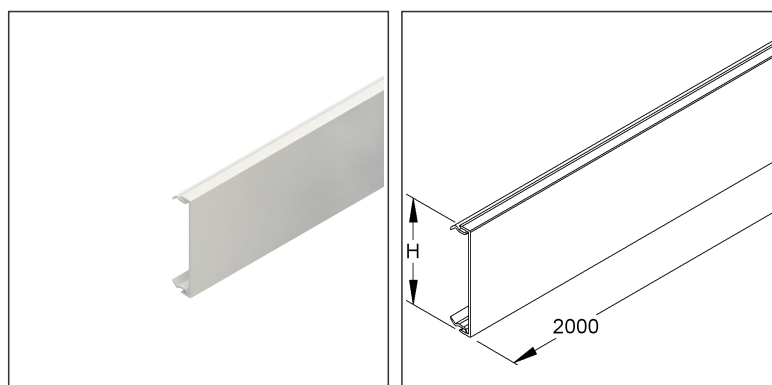
Device Built-In Trunking, upper Part

smooth

BO80.3

EAN Code: 4011126050554
 Smallest packaging unit: 36 m
 quantity unit: m M

the photorealistic images are to be considered as reference images



Article Description

Device built-in trunking, upper part, 80x2000 mm, plastics PVC-hard, RAL 9010, pure white

Additional Price Information

Article group	K633
quantity unit	m

Weight

Weight per quantity unit	312 g/ m
Weight in kg per 100	31 kg/ 100m

Physical Article Dimensions

Height	79.50 mm
Width	17.65 mm
Depth/length	2000 mm

Technical Datasheet

Device trunking from PVC

BO80.3

the photorealistic images are to be considered as reference images

Packing Dimension

2 meters = 1 piece		✓ VP1-smallest packaging unit (PU)			
Lenght	2000 mm	Width	18.00 mm	Height	80.00 mm
Gross weight	0,62 kg	Volume	0,003 m ³		
Max. Quantity	2.00 m	Min. quantity	2.00 m		
36 meters = 1		✓ VP2-preferred PU			
Lenght	2010 mm	Width	125.00 mm	Height	140.00 mm
Gross weight	12 kg	Volume	0,035 m ³		
Min. Quantity	36.00 m	Max. Quantity	36.00 m		
1296 meters = 1 rack					
Lenght	2090 mm	Width	1055 mm	Height	1090 mm
Gross weight	515 kg	Volume	2,403 m ³		
Min. Quantity	1.296.00 m	Max. Quantity	1.296.00 m		

Tender Text

Device trunking upper part, smooth, can be used for device trunking lower parts BU65... with 80 mm cover opening, the visible surfaces are protected with a protective film.
 VDE certified!
 Cover height : 80 mm
 Delivery length L : 2000 mm
 Material : PVC-hard (polyvinyl chloride)
 Colour: pure white RAL: 9010 (similar)
 Kleinhuis Model no. : BO80.3
 EP Material_____ EP Wage_____
 Unit price/metre

Safety & Environment

REACH Date	05.11.2025
REACH Info	Conformable
RoHS Info	Conformable

Origin & International Trade

Country of origin	DE
Customs tariff number	39259020

Related items

Cover

Model No.	Description
BSVO80.3	Joint cover, cover opening 81 mm, plastics ASA, RAL 9010, pure white
DH55	Lifter for cover, rubber, RAL 9005, black