

Hook Head Bolt M20

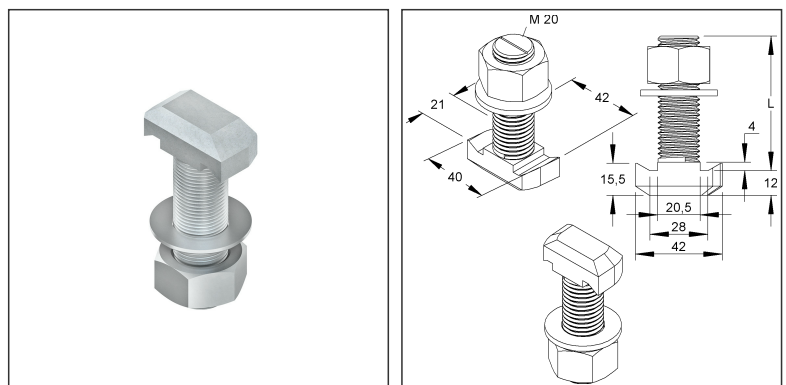
incl. nut and washer

HK 620/65

As long as there is still in stock

EAN Code: 4013339125302
Smallest packaging unit: 25 pcs.

the photorealistic images are to be considered as reference images



Article Description

Hook head bolt M20, length 65 mm, steel, galvanised according to DIN EN ISO 2081/4042, blue passivated

Additional Price Information

Article group	N09
quantity unit	pcs.

Weight

Weight per quantity unit	300 g / pcs.
Weight in kg per 100	30 kg / 100pcs.

Technical Datasheet

Screws and nuts

HK 620/65

the photorealistic images are to be considered as reference images

Physical Article Dimensions

Height	42.00 mm
Width	37.00 mm
Depth/length	80.50 mm

Packing Dimension

25 pieces = 1 carton		✓ VP1-smallest packaging unit (PU)	✓ VP1-preferred PU		
Lenght	180.00 mm	Width	135.00 mm	Height	84.00 mm
Gross weight	7,11 kg	Volume	0,002 m ³		
Min. quantity	25.00 pcs.	Max. Quantity	25.00 pcs.		

100 pieces = 1 covering box					
Lenght	300 mm	Width	300 mm	Height	80.00 mm
Gross weight	29 kg	Volume	0,007 m ³		
Min. Quantity	100.00 pcs.	Max. Quantity	100.00 pcs.		

Tender Text

Hook head bolt with hexagon nut and washer, can be used at any point in the profile.
Suitable for : C-profile 2987 with 26 mm slot width and C- profiles 2991, 2992, 2994, 2995 with 22 mm slot width
Dimensions (approx. dimensions)
Head length : 42 mm
Head width : 21 mm
Head height : 15.5 mm
Thread : M 20
Length L : 65 mm
Strength class : 4.6
Material : Steel, galvanised acc. to DIN EN ISO 4042, blue passivated
NIEDAX Model-No. : HK 620/65
EP Material_____ EP Wage_____
Unit price/piece

Safety & Environment

REACH Date	05.11.2025
REACH Info	Conformable
RoHS Info	Conformable

Origin & International Trade

Country of origin	CN
Customs tariff number	73181595