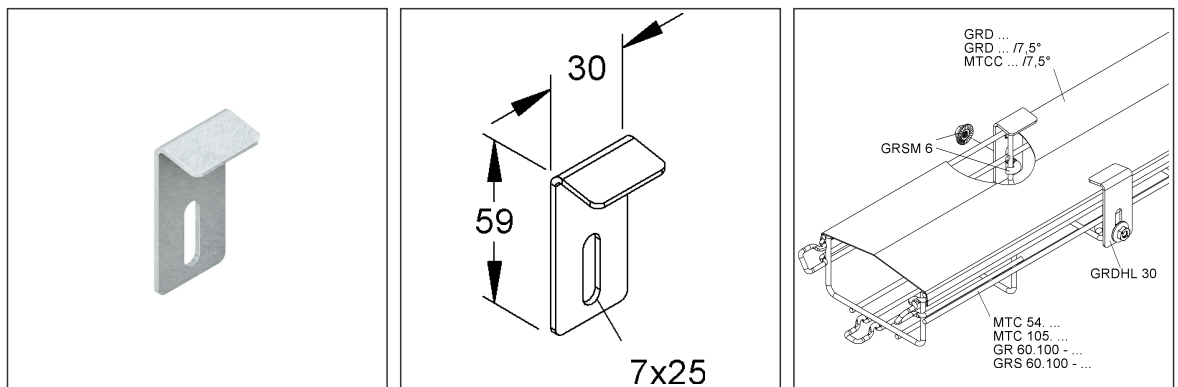


Cover Retaining Lug

GRDHL 30 F

EAN Code: 4013339075676
 Smallest packaging unit: 50 pcs.

the photorealistic images are to be considered as reference images



Article Description

Cover retaining lug for cover wire mesh tray, steel, hot dip galvanised DIN EN ISO 1461

Additional Price Information

Article group	N13
quantity unit	pcs.

Weight

Weight per quantity unit	36 g / pcs.
Weight in kg per 100	3,6 kg / 100pcs.

Physical Article Dimensions

Height	59.00 mm
Width	30.00 mm
Depth/length	19.30 mm

Technical Datasheet

Wire Mesh Tray System

GRDHL 30 F

the photorealistic images are to be considered as reference images

Packing Dimension

50 pieces = 1		✓ VP1-smallest packaging unit (PU)		✓ VP1-preferred PU	
Lenght	120.00 mm	Width	120.00 mm	Height	100.00 mm
Gross weight	1,84 kg	Volume	0,001 m ³		
Min. quantity	50.00 pcs.	Max. Quantity	50.00 pcs.		

7250 pieces = 1					
Lenght	750 mm	Width	750 mm	Height	730 mm
Gross weight	308 kg	Volume	0,411 m ³		
Min. Quantity	7.250.00 pcs.	Max. Quantity	7.250.00 pcs.		

Tender Text

Cover retaining lug, for fastening wire mesh tray covers on U-shaped wire mesh trays with at least two longitudinal wires at the sides.
 The cover retaining lug has been designed for additional securing of the cover for vertical installation.
 It also serves as wind protection in the outdoor area for vertical and horizontal installation. Please order hook head bolts GRSM 6 for fastening to the vertical cross wires of the wire mesh trays separately.
 Recommended mounting distance in pairs ≤ 1 m
 Used for : wire mesh tray cover GRD...
 GRD.../7.5°
 MTCC.../7.5°
 Dimensions (approx. dimensions) H x W : 30 x 59 mm
 Fastening holes : 7 x 25 mm
 Material : steel, hot-dip galvanised acc. to DIN EN ISO 1461
 NIEDAX Model No. : GRDHL 30 F
 EP Material_____ EP Wage_____
 Unit price/piece

Safety & Environment

REACH Date	04.02.2026
REACH Info	Conformable
RoHS Info	Conformable

Origin & International Trade

Country of origin	DE
Customs tariff number	73089059