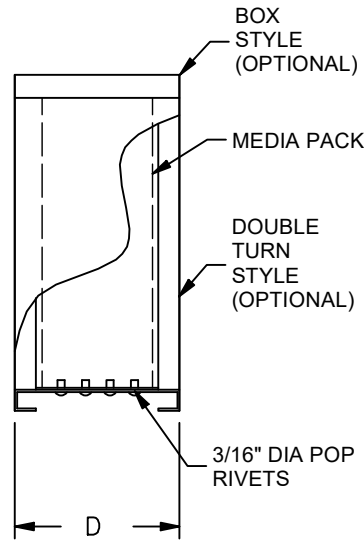
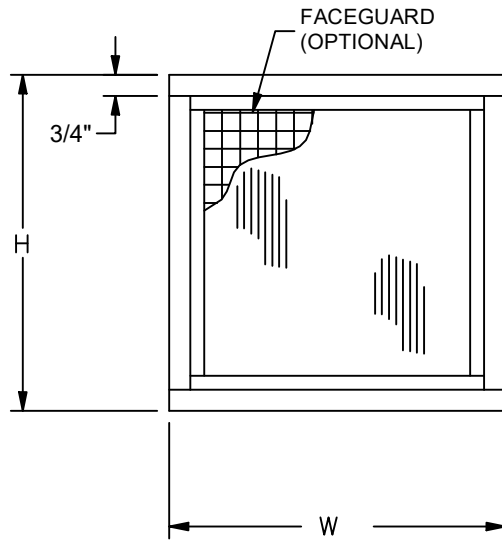


SPECIFICATIONS

1. THE HEIGHT AND WIDTH TOLERANCE IS +0/-1/8"; SQUARE WITHIN 1/8"
2. THE DEPTH TOLERANCE IS +1/16" / -0
3. THE FILTER RESISTANCE IS 1.65"(W PACK)/1.45"(H PACK) W.G. MAXIMUM AT THE RATED FLOW
4. THE MAXIMUM TEMPERATURE EXPOSURE IS 250°F
5. THE MAXIMUM R.H. IS 100%
6. CLASSIFIED BY UNDERWRITERS LABORATORIES TO FLAMMABILITY ONLY UL 900.
7. IF SCAN TESTED, THE FILTER SHALL BE TESTED AT 90 FPM ±10% WITH AN APPROVED AEROSOL FOR LEAKS.

SIZE DESIGNATORS & RATED FLOW @ 1.45" W.G (H MEDIUM) OR 1.65" W.G. (W MEDIUM)				
SIZE CODE	HEIGHT	WIDTH	DEPTH	RATED FLOW (CFM)
CC-F	12"	12"	11 1/2"	430
YU-F	23 3/8"	11 3/8"	11 1/2"	865
GC-F	24"	12"	11 1/2"	920
GE-F	24"	18"	11 1/2"	1380
YY-F	23 3/8"	23 3/8"	11 1/2"	1900
GG-F	24"	24"	11 1/2"	2000
GN-F	24"	30"	11 1/2"	2500



- FILTER HARDWARE - 0: NONE
- FILTER MEDIUM - 007: 99.97% AT 0.3 µm WATER RESISTANT GLASS
 011: 99.97% AT 0.3 µm WATER RESISTANT GLASS
- PACK STYLE - W: 11" PUREFORM (FOR 007 MEDIA)
 H: ALUMINUM SEPARATORS (FOR 011 MEDIA)
- FRAME MATERIAL - 02: 16 GA T-409 SS
 03: 16 GA T-304 SS
 05: 0.063" ALUMINUM
 08: 16 GA GALVANEAL
- FRAME STYLE - 00: BOX STYLE
 03: TWO DOUBLE TURN FLANGES
- PACK SEALANT TEST METHOD - IU: SOLID URETHANE / DOP TEST (99.97%)
 SU: SOLID URETHANE / SCAN TEST (99.99%)
- GASKET MATERIAL LOCATION - 00: NONE
 11: NEOPRENE UPSTREAM
 12: NEOPRENE DOWNSTREAM
 13: NEOPRENE BOTH SIDES
- FACEGUARD MATERIAL LOCATION - 00: NONE
 11: GALVANIZED UPSTREAM
 12: GALVANIZED DOWNSTREAM
 13: GALVANIZED BOTH SIDES
 21: STAINLESS STL. UPSTREAM
 22: STAINLESS STL. DOWNSTREAM
 23: STAINLESS STL. BOTH SIDES

SIZE CODE - GG-F EXAMPLE
SEE CHART
00-0

CUSTOMER APPROVAL DRAWINGS MUST BE SIGNED IN ORDER TO PROCEED WITH PRODUCTION. <input type="checkbox"/> APPROVED <input type="checkbox"/> APPROVED AS NOTED <input type="checkbox"/> NOT APPROVED - RESUBMIT					
SIGNATURE: _____		DATE: _____			
COMMENTS: _____					
QUOTE NO.: _____					
UNLESS OTHERWISE SPECIFIED DIMENSIONS ARE IN INCHES TOLERANCES ARE:					
FRACTIONS X/X ±1/8 DECIMALS X.XX ±0.13 DIAGONALS ±1/8		TITLE: ALPHA 2000, METAL FRAME, GASKET SEAL			
DRAWN BY jholland	CHECKED BY S.TATE	APPROVED BY M.RENN	SHEET 1 OF 1	SHEET SIZE A	SCALE NTS
DATE 8/12/2021		DATE 9/8/2021	DATE 9/21/2021	DRAWING NUMBER 600-00028-0005	
THE INFORMATION CONTAINED ON THIS DRAWING IS PROPRIETARY TO AAF FLANDERS AND MAY NOT BE USED, REPRODUCED NOR TRANSMITTED TO OTHER PARTIES WITHOUT EXPRESSED WRITTEN CONSENT OF AAF FLANDERS.					REV A