

SPECIFICATIONS

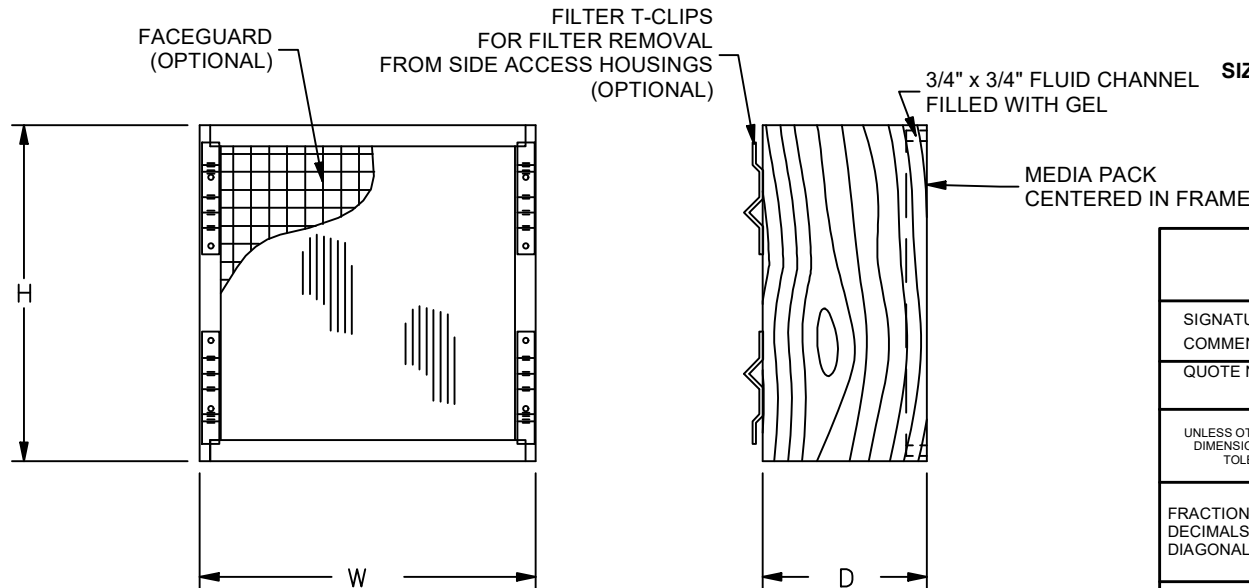
1. THE HEIGHT AND WIDTH TOLERANCE IS +0/-1/8"; SQUARE WITHIN 1/8"
2. THE DEPTH TOLERANCE IS +1/16" / -0
3. THE FILTER RESISTANCE IS 1.45"(H PACK)/1.65"(W PACK) W.G. MAXIMUM AT THE RATED FLOW
4. THE MAXIMUM TEMPERATURE EXPOSURE IS 250°F (NON F.R. PLYWOOD 200°F, URETHANE GEL 150°F)
5. THE MAXIMUM R.H. IS 100%
6. CLASSIFIED BY UNDERWRITERS LABORATORIES TO FLAMMABILITY ONLY UL 900.
7. IF SCAN TESTED, THE FILTER SHALL BE TESTED AT 90 FPM ±10% WITH AN APPROVED AEROSOL FOR LEAKS.

- FILTER HARDWARE - 0: NONE
 T: FILTER EXTRACTION CLIPS
- FILTER MEDIUM - 007: 99.97% AT 0.3 µm WATER RESISTANT GLASS
 011: 99.97% AT 0.3 µm WATER RESISTANT GLASS
- PACK STYLE - W: 11" PUREFORM (FOR 007 MEDIA)
 H: ALUMINUM SEPARATORS (FOR 011 MEDIA)
- FRAME MATERIAL - 01: 3/4" NON F.R. PLYWOOD
 04: 3/4" F.R. PLYWOOD
 07: 3/4" F.R. PARTICLEBOARD
 11: 3/4" NON F.R. PARTICLEBOARD
- FRAME STYLE - 05: FLUID SEAL CHANNEL

SIZE DESIGNATORS & RATED FLOW @ 1.45" (H MEDIUM) OR 1.65" (W MEDIUM) W.G.

SIZE CODE	HEIGHT	WIDTH	DEPTH	RATED FLOW (CFM)
CC-F	12"	12"	11 1/2"	430
YU-F	23 3/8"	11 3/8"	11 1/2"	865
GC-F	24"	12"	11 1/2"	920
GE-F	24"	18"	11 1/2"	1380
YY-F	23 3/8"	23 3/8"	11 1/2"	1900
GG-F	24"	24"	11 1/2"	2000
GN-F	24"	30"	11 1/2"	2500

- PACK SEALANT TEST METHOD - IU: SOLID URETHANE / DOP TEST (99.97%)
 SU: SOLID URETHANE / SCAN TEST (99.99%)
- GASKET MATERIAL LOCATION - 00: NONE
 51: SILICONE GEL UPSTREAM
 52: SILICONE GEL DOWNSTREAM
 61: URETHANE GEL UPSTREAM
 62: URETHANE GEL DOWNSTREAM.
- FACEGUARD MATERIAL LOCATION - 00: NONE
 11: GALVANIZED UPSTREAM
 12: GALVANIZED DOWNSTREAM
 13: GALVANIZED BOTH SIDES
 21: STAINLESS STL. UPSTREAM
 22: STAINLESS STL. DOWNSTREAM
 23: STAINLESS STL. BOTH SIDES



GG-F EXAMPLE
SEE CHART
□□-□

CUSTOMER APPROVAL DRAWINGS MUST BE SIGNED IN ORDER TO PROCEED WITH PRODUCTION. <input type="checkbox"/> APPROVED <input type="checkbox"/> APPROVED AS NOTED <input type="checkbox"/> NOT APPROVED - RESUBMIT					
SIGNATURE: _____		DATE: _____			
COMMENTS: _____					
QUOTE NO.: _____					
UNLESS OTHERWISE SPECIFIED DIMENSIONS ARE IN INCHES TOLERANCES ARE:					
FRACTIONS X/X ±1/8 DECIMALS X.XX ±0.13 DIAGONALS ±1/8		TITLE: ALPHA 2000, WOOD FRAME, FLUID SEAL			
DRAWN BY j.holland	CHECKED BY S.TATE	APPROVED BY M.RENN	SHEET 1 OF 1	SHEET SIZE A	SCALE NTS
DATE 8/12/2021		DATE 9/8/2021		DATE 9/21/2021	
DRAWING NUMBER					REV A
600-00028-0008					

THE INFORMATION CONTAINED ON THIS DRAWING IS PROPRIETARY TO AAF FLANDERS AND MAY NOT BE USED, REPRODUCED NOR TRANSMITTED TO OTHER PARTIES WITHOUT EXPRESSED WRITTEN CONSENT OF AAF FLANDERS.