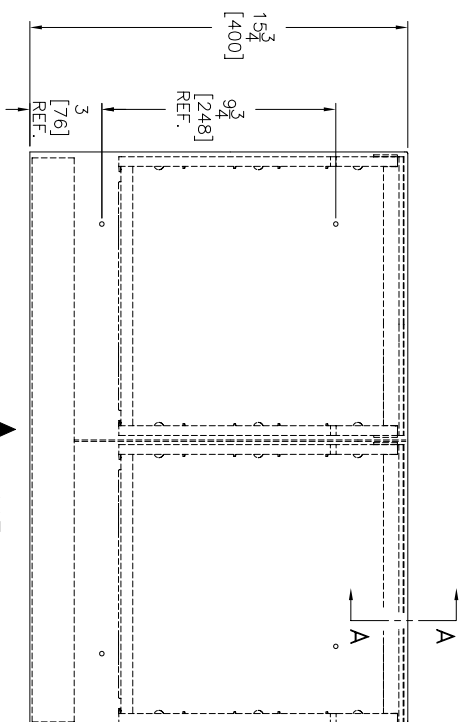
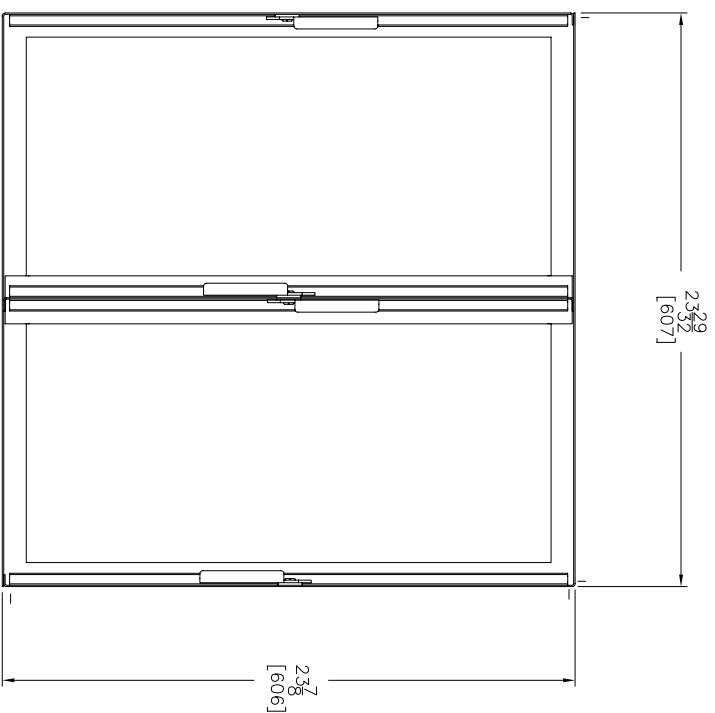


LTR.	CHANGE	CK'D	DATE	APPR	DATE

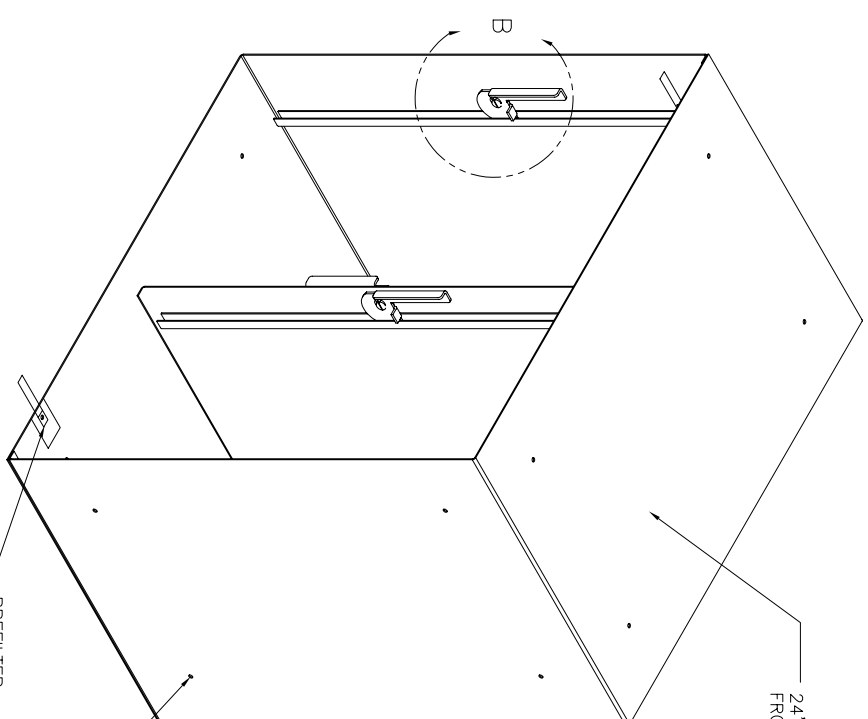


AIR FLOW →

PLAN VIEW
FILTERS INCLUDED



INLET ELEVATION VIEW
FILTERS NOT SHOWN



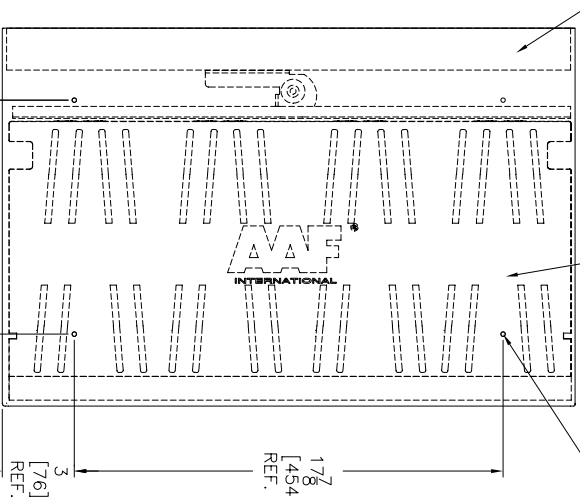
ISOMETRIC VIEW
FILTERS NOT SHOWN

24X24X2 NOMINAL PERFOPLATE PREFILTER, MERV 7 AAF PART NUMBER 172-102-863

CG PHASE FILTER CG PLASTIC CASSETTES 24"HIGHX12"WIDEX12"DEEP NOMINAL, 2 SUPPLIED PER HOUSING ∇ 5

PREFILTER RETAINING CLIP, (TYP) 2 SUPPLIED.

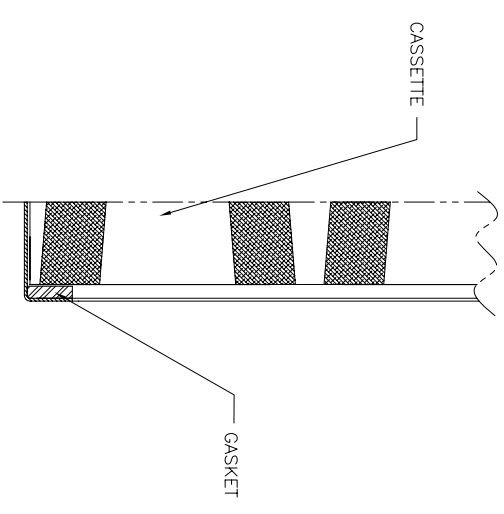
AIR FLOW →



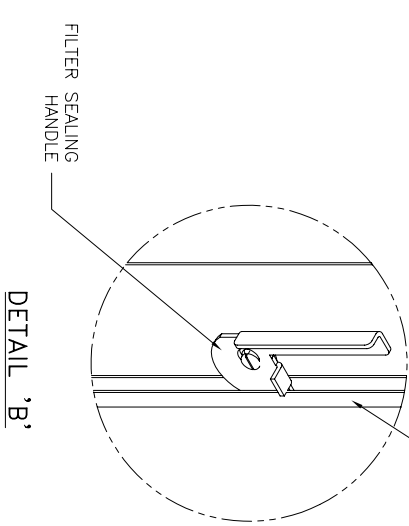
SIDE ELEVATION VIEW
FILTERS INCLUDED

24"HIGHX24"WIDEX15 3/8"DEEP NOMINAL, FRONT ACCESS CG CHEMICAL FILTER HOUSING

SECTION 'A-A'



3/8" DIA. TYP. RIVET HOLE FOR CONNECTING ADJACENT HOUSING, TYP. 16 PLS.



NOTES:

1. RATED AIRFLOW: 2,000CFM (3,398CMM).
2. NOMINAL RATED FACE VELOCITY: 500FPM (2.54M/S).
3. 16 GAGE STEEL CONSTRUCTION.
4. PAINTED FINISH, BLACK COLOR.
5. EACH CASSETTE COMPRISES ONE 24"HIGHX12"WIDEX12"DEEP, NOMINAL, MODULE.

--SALES DRAWING--

Tolerance Unless Specified:	±1/16
Material:	
Scale:	
Drawn:	
Checked:	
Date:	

Confidential Property of
AAF International
 P.O. Box 3690
 532-5590
 www.aafintl.com

Filter Housing, Front Access
 FA-202-2P-CG

SHEET SECTION NO. D
 1140-3027539

REV. REV.