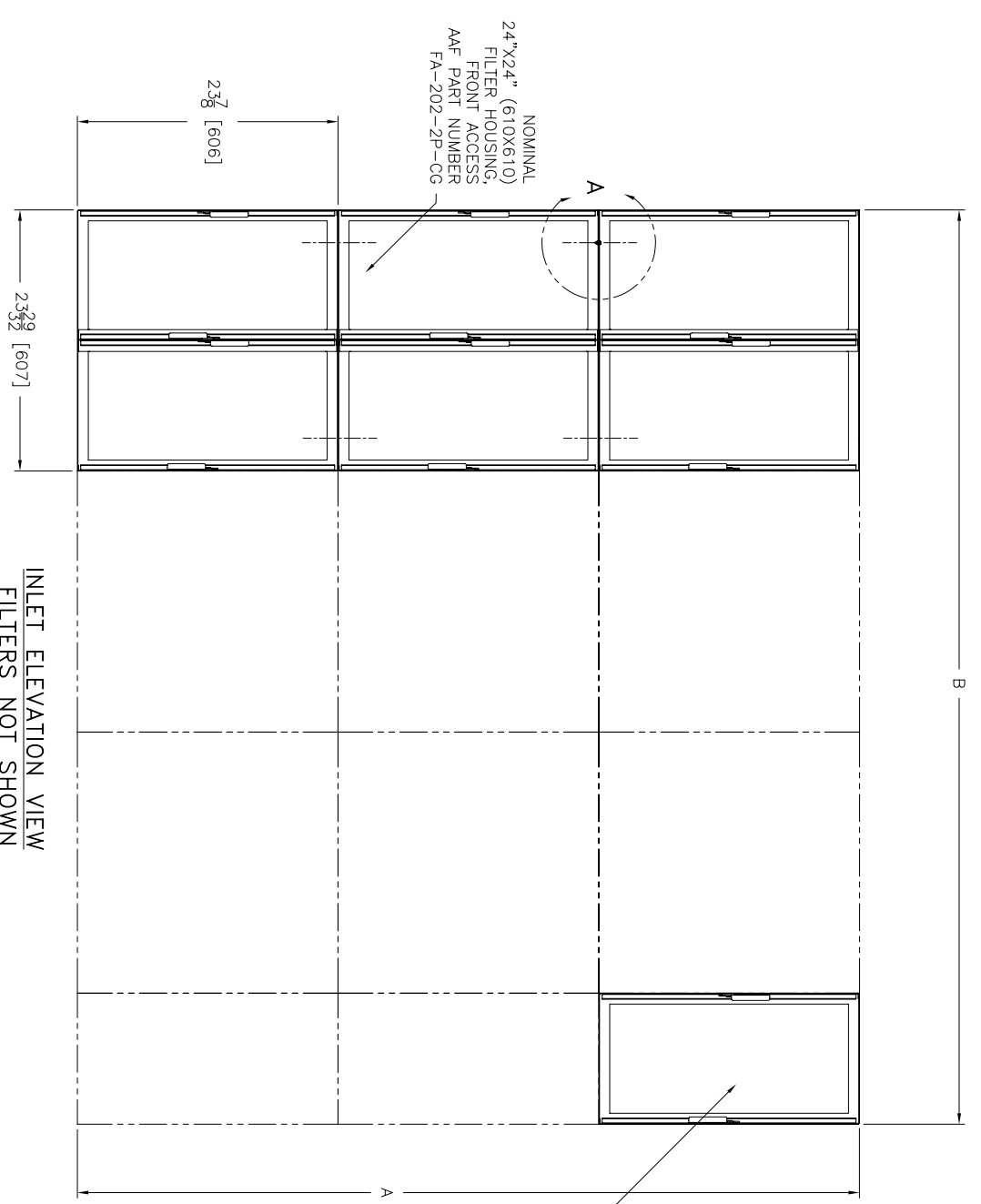
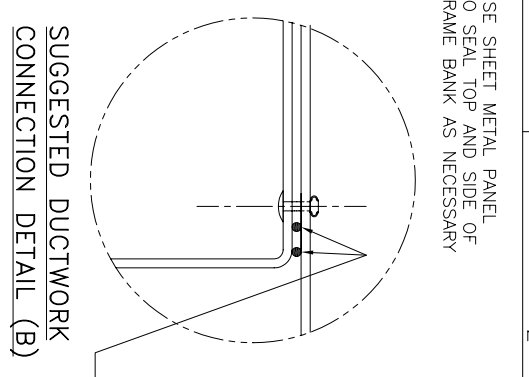
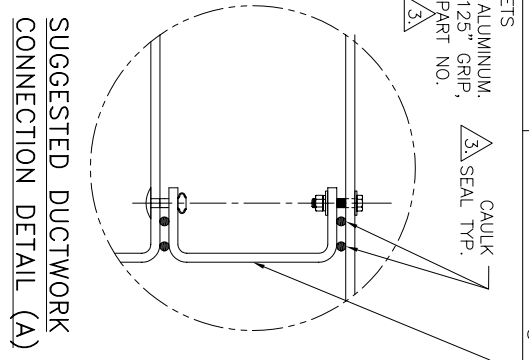
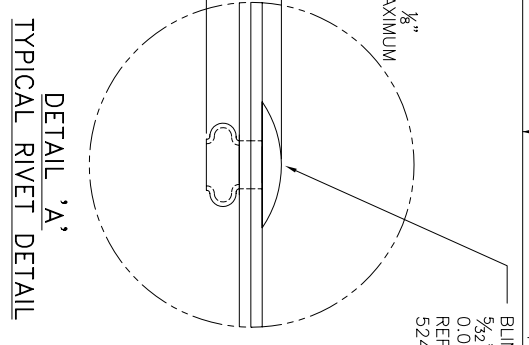
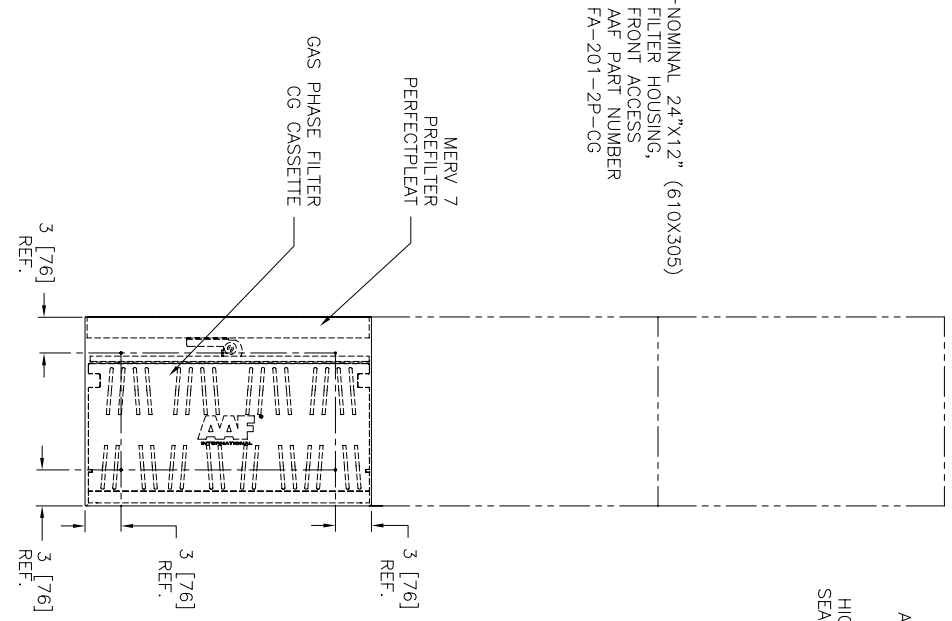


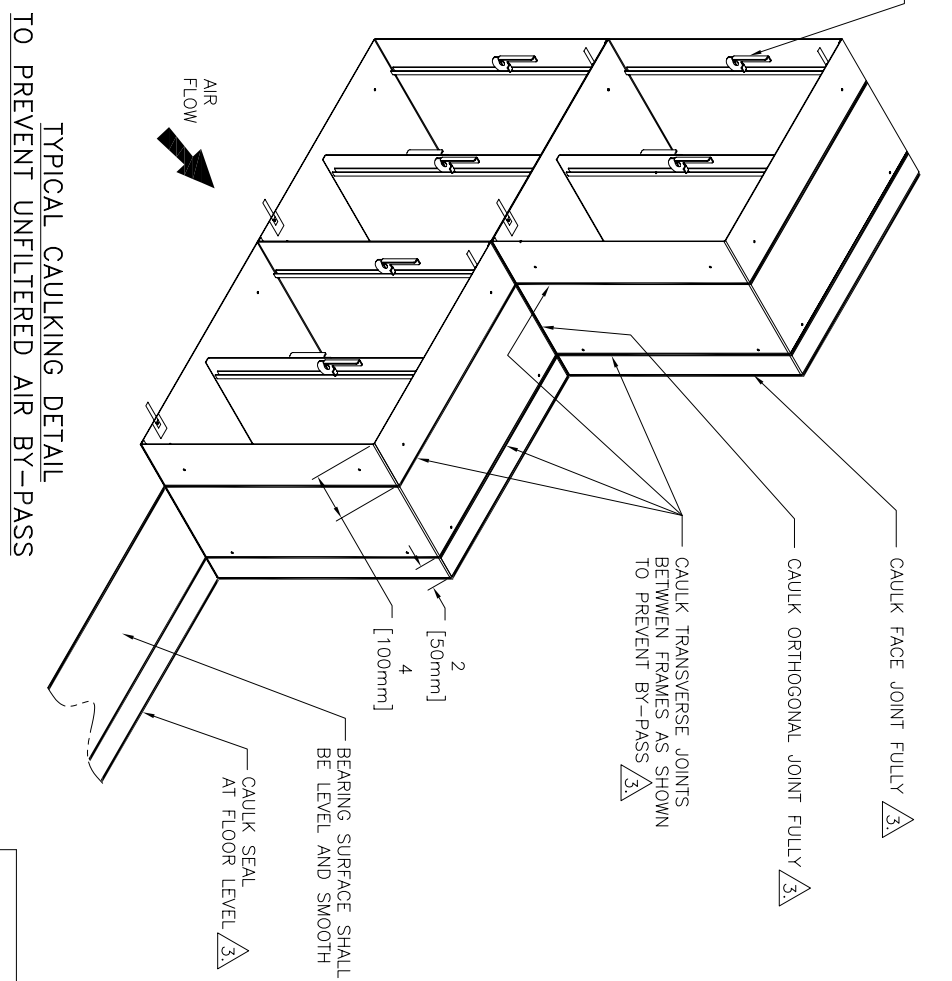
PLAN VIEW
FILTERS INCLUDED



INLET ELEVATION VIEW
FILTERS NOT SHOWN



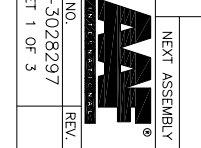
SIDE ELEVATION VIEW
FILTERS INCLUDED



TYPICAL CAULKING DETAIL
TO PREVENT UNFILTERED AIR BY-PASS

PROJECT NAME:									
CHEMICAL FILTER DETAILS									
ITEM IDENTIFICATION NUMBER	QUANTITY	SIZE	HEIGHT IN. [mm]	WIDTH IN. [mm]	DEPTH IN. [mm]	MODEL NUMBER	AIRFLOW ACFM [c.m.h.]	NOM. FACE VELOCITY F.P.M. [m.p.s.]	CG

TOLERANCE									
±1/16									
MATERIAL									
ALUMINUM									
SCALE									
1/4" = 1'-0"									
DATE									
07/07/06									
BY									
JXU									
CHECKED									
JXU									
DATE									
07/07/06									
PROJECT									
FA-XXX-2P-CG									
SHEET SECTION NO.									
114-3028297									
SHEET 1 OF 3									



LTR.	CHANGE	CK'D	DATE	APPR	DATE

LTR.	CHANGE	CK'D	DATE	APPR	DATE

FILTER SCHEDULE FOR FA-2P-CG						
TYPE	FILTER	MERV RATING	CHEMICAL MEDIA	CHECK ONE	PART NUMBER	QTY.
PREFILTER	PERFECT PLEAT	7	N/A	<input type="checkbox"/>	172-102-863	24 x 24 x 2 [610 x 610 x 50]
	PERFECT PLEAT	7		<input type="checkbox"/>	172-102-319	12 x 24 x 2 [305 x 610 x 50]
CHEMICAL FILTER BANK	CG CASSETTE	N/A	N/A	<input type="checkbox"/> SAAF OXIDANT	114-3024155-2(D)	24 x 12 x 12 [610 x 305 x 305]
				<input type="checkbox"/> SAAF CARB	114-3024155-3(D)	
				<input type="checkbox"/> SAAF BLEND	114-3024155-7(D)	
				<input type="checkbox"/> OTHER <input checked="" type="checkbox"/> A		

NOTES:

- 1 TOTAL FRAME DIMENSIONS ARE SHOWN ON SHEET 3 OF 4. NOTE THAT 1/32" HAS BEEN INCLUDED FOR EACH CAULKED JOINT BETWEEN HORIZONTAL SURFACES IN CALCULATION OF TOTAL HEIGHT, AND 1/16" HAS BEEN INCLUDED FOR EACH CAULKED JOINT BETWEEN VERTICAL SURFACES IN CALCULATION OF TOTAL HORIZONTAL WIDTH.
- 2 MAXIMUM NUMBER OF FRAMES THAT MAY BE STACKED VERTICALLY WITHOUT INTERMEDIATE SUPPORTS IS 4. THERE IS NO LIMIT ON THE WIDTH OF A BUILT-UP FILTER BANK.
- 3 CAULK & RIVETS SUPPLIED BY OTHERS.
- 4 DEPENDING ON THE APPLICATION, SAAF MAY RECOMMEND AN ALTERNATE ENGINEERED CHEMICAL MEDIA.
- 5 OPERATING AND SHIPPING WEIGHTS SHOWN ARE BASED ON SAAF SAAF OXIDANT CHEMICAL MEDIA.

NOMINAL PRESSURE DROP IN WG. [po] @ 500 F.P.M. [2.54 m/h] NOMINAL FACE VELOCITY									
CHEMICAL MEDIA		SAAF OXIDANT		SAAF CARB		SAAF BLEND		ACTUAL (COMPLETE IF ONE OF THE STANDARD OPTIONS AT LEFT IS NOT USED)	
TYPE	2" NOMINAL PERFECT PLEAT, MERV 7	INITIAL ΔP	FINAL ΔP	INITIAL ΔP	FINAL ΔP	INITIAL ΔP	FINAL ΔP	INITIAL ΔP	FINAL ΔP
PREFILTER	STANDARD	0.3436 [85.453]	1.0 [248.7]	0.3436 [85.453]	1.0 [248.7]	0.3436 [85.453]	1.0 [248.7]	0.3436 [85.453]	1.0 [248.7]
CHEMICAL FILTER BANK	CG CASSETTE	0.47 [116.889]	0.47 [116.889]	0.56 [139.272]	0.56 [216.37]	0.57 [141.759]	0.57 [141.759]	0.57 [141.759]	0.57 [141.759]
TOTAL ΔP (IN. W.G.)		0.814 [202.44]	1.47 [365.59]	0.904 [224.73]	1.56 [387.97]	0.914 [227.21]	1.57 [390.46]		

--SALES DRAWING--

Tolerance Limits Specified:	Material	Scale	Confidential Property of AAF International P.O. Box 2680 St. Louis, MO 63101 www.aafintl.com
±1/16	AAU	1/8" = 1"	
Third Angle Projection	DATE	DATE	DATE
	07/07/08	07/07/08	07/07/08
	114-3028297	114-3028297	114-3028297
	FA-XXX-2P-CG	FA-XXX-2P-CG	FA-XXX-2P-CG
	SHEET 2 OF 3	SHEET 2 OF 3	SHEET 2 OF 3

LTR.	CHANGE	CK'D	DATE	APPR	DATE

SIZE	ACTUAL FILTER FACE AREA		NOMINAL AREA SQ. FT. [sq. m.]	CFM AIRFLOW @ 500F. P.M. [2.54m/s] VELOCITY	FRAME QUANTITIES		PER FILTER BANK	FILTER QUANTITIES		GAS PHASE (24"X12"X12" (610X305X305) CG CASSETTES PER FILTER BANK	OPERATING WEIGHT [lbs][kg]	SHIPPING WEIGHT [lbs][kg]	
	HEIGHT A [IN. [mm]]	WIDTH B [IN. [mm]]			NOMINAL FILTER FACE AREA HIGH X WIDE [IN. [mm]]	MODEL		PARTICULATE NOMINAL FILTER FACE AREA HIGH X WIDE [IN. [mm]]	PER FILTER BANK			FRAME WEIGHT [lbs][kg]	CASSETTES
201	23 3/8 [606]	12 [305]	2.0 [0.1858]	1000 [1699]	24 x 24 [610 x 305]	FA-201-2P-CG	1	12 x 24 [305 x 610]	1	1	77 [35]	22 [10]	55 [25]
202	23 3/8 [606]	23 3/8 [607]	4.0 [0.3716]	2000 [3398]	24 x 24 [605 x 605]	FA-202-2P-CG	1	24 x 24 [610 x 610]	1	2	145 [66]	35 [16]	110 [50]
203	23 3/8 [606]	35 3/8 [914]	6.0 [0.5574]	3000 [5097]	24 x 24 [610 x 610]	FA-202-2P-CG	1	24 x 24 [610 x 610]	1	3	222 [101]	57 [26]	165 [75]
204	23 3/8 [606]	47 3/8 [1216]	8.0 [0.7432]	4000 [6796]	24 x 24 [605 x 605]	FA-202-2P-CG	2	24 x 24 [610 x 610]	2	4	290 [132]	70 [32]	220 [100]
205	23 3/8 [606]	59 1/8 [1522]	10.0 [0.9290]	5000 [8495]	24 x 24 [605 x 605]	FA-202-2P-CG	2	24 x 24 [610 x 610]	2	5	367 [167]	92 [42]	275 [125]
206	23 3/8 [606]	71 3/8 [1824]	12.0 [1.1148]	6000 [10194]	24 x 24 [605 x 605]	FA-202-2P-CG	3	24 x 24 [610 x 610]	3	6	435 [198]	105 [48]	330 [150]
207	23 3/8 [606]	83 3/8 [2131]	14.0 [1.3006]	7000 [11893]	24 x 24 [605 x 605]	FA-202-2P-CG	3	24 x 24 [610 x 610]	3	7	512 [233]	127 [58]	385 [175]
208	23 3/8 [606]	95 1/8 [2434]	16.0 [1.4864]	8000 [13592]	24 x 24 [605 x 605]	FA-202-2P-CG	4	24 x 24 [610 x 610]	4	8	580 [264]	140 [64]	440 [200]
402	47 3/8 [1214]	23 3/8 [607]	8.0 [0.7432]	4000 [6796]	24 x 24 [305 x 305]	FA-202-2P-CG	2	24 x 24 [610 x 610]	2	4	290 [132]	70 [32]	220 [100]
403	47 3/8 [1214]	35 3/8 [914]	12.0 [1.1148]	6000 [10194]	24 x 24 [610 x 610]	FA-202-2P-CG	2	24 x 24 [610 x 610]	2	6	444 [202]	114 [52]	330 [150]
404	47 3/8 [1214]	47 3/8 [1216]	16.0 [1.4864]	8000 [13592]	24 x 24 [305 x 305]	FA-202-2P-CG	4	24 x 24 [610 x 610]	4	8	580 [264]	140 [64]	440 [200]
405	47 3/8 [1214]	59 1/8 [1522]	20.0 [1.8581]	10000 [16990]	24 x 24 [610 x 610]	FA-202-2P-CG	4	24 x 24 [610 x 610]	4	10	734 [332]	184 [83]	550 [249]
406	47 3/8 [1214]	71 3/8 [1824]	24.0 [2.2297]	12000 [20388]	24 x 24 [605 x 605]	FA-202-2P-CG	6	24 x 24 [610 x 610]	6	12	870 [394]	210 [95]	660 [299]
407	47 3/8 [1214]	83 3/8 [2131]	28.0 [2.6013]	14000 [23786]	24 x 24 [605 x 605]	FA-202-2P-CG	6	24 x 24 [610 x 610]	6	14	1024 [464]	254 [115]	770 [349]
408	47 3/8 [1214]	95 1/8 [2434]	32.0 [2.9728]	16000 [27184]	24 x 24 [605 x 605]	FA-202-2P-CG	8	24 x 24 [610 x 610]	8	16	1160 [526]	280 [127]	880 [399]
409	47 3/8 [1214]	107 1/8 [2742]	36.0 [3.3445]	18000 [30582]	24 x 24 [605 x 605]	FA-202-2P-CG	8	24 x 24 [610 x 610]	8	18	1314 [596]	324 [147]	990 [449]
410	47 3/8 [1214]	119 3/8 [3042]	40.0 [3.7161]	20000 [33980]	24 x 24 [605 x 605]	FA-202-2P-CG	10	24 x 24 [610 x 610]	10	20	1450 [658]	350 [159]	1100 [499]

SIZE	ACTUAL FILTER FACE AREA		NOMINAL AREA SQ. FT. [sq. m.]	CFM AIRFLOW @ 500F. P.M. [2.54m/s] VELOCITY	FRAME QUANTITIES		PER FILTER BANK	FILTER QUANTITIES		GAS PHASE (24"X12"X12" (610X305X305) CG CASSETTES PER FILTER BANK	OPERATING WEIGHT [lbs][kg]	SHIPPING WEIGHT [lbs][kg]	
	HEIGHT A [IN. [mm]]	WIDTH B [IN. [mm]]			NOMINAL FILTER FACE AREA HIGH X WIDE [IN. [mm]]	MODEL		PARTICULATE NOMINAL FILTER FACE AREA HIGH X WIDE [IN. [mm]]	PER FILTER BANK			FRAME WEIGHT [lbs][kg]	CASSETTES
603	71 1/8 [1821]	35 3/8 [914]	18.0 [1.6722]	9000 [15291]	24 x 24 [610 x 610]	FA-202-2P-CG	3	12 x 24 [305 x 610]	3	9	666 [303]	171 [78]	495 [225]
604	71 1/8 [1821]	47 3/8 [1216]	24.0 [2.2297]	12000 [20388]	24 x 24 [605 x 605]	FA-202-2P-CG	6	24 x 24 [610 x 610]	6	12	870 [394]	210 [95]	660 [299]
605	71 1/8 [1821]	59 1/8 [1522]	30.0 [2.7870]	15000 [25485]	24 x 24 [605 x 605]	FA-202-2P-CG	6	24 x 24 [610 x 610]	6	15	1101 [499]	276 [125]	825 [374]
606	71 1/8 [1821]	71 3/8 [1824]	36.0 [3.3445]	18000 [30582]	24 x 24 [605 x 605]	FA-202-2P-CG	9	24 x 24 [610 x 610]	9	18	1305 [592]	315 [143]	990 [449]
607	71 1/8 [1821]	83 3/8 [2131]	42.0 [3.9019]	21000 [35679]	24 x 24 [605 x 605]	FA-202-2P-CG	9	24 x 24 [610 x 610]	9	21	1536 [697]	381 [173]	1155 [524]
608	71 1/8 [1821]	95 1/8 [2434]	48.0 [4.4593]	24000 [40776]	24 x 24 [605 x 605]	FA-202-2P-CG	12	24 x 24 [610 x 610]	12	24	1740 [790]	420 [191]	1320 [599]
609	71 1/8 [1821]	107 1/8 [2742]	54.0 [5.0167]	27000 [45873]	24 x 24 [605 x 605]	FA-202-2P-CG	12	24 x 24 [610 x 610]	12	27	1971 [894]	486 [220]	1485 [674]
610	71 1/8 [1821]	119 3/8 [3042]	60.0 [5.5741]	30000 [50970]	24 x 24 [605 x 605]	FA-202-2P-CG	15	24 x 24 [610 x 610]	15	30	2175 [986]	525 [238]	1650 [748]
805	95 1/8 [2428]	59 1/8 [1522]	40.0 [3.7161]	20000 [33980]	24 x 24 [610 x 610]	FA-202-2P-CG	8	24 x 24 [610 x 610]	8	20	1468 [666]	368 [167]	1100 [499]
806	95 1/8 [2428]	71 3/8 [1824]	48.0 [4.4593]	24000 [40776]	24 x 24 [605 x 605]	FA-202-2P-CG	12	24 x 24 [610 x 610]	12	24	1740 [790]	420 [191]	1320 [599]
807	95 1/8 [2428]	83 3/8 [2131]	56.0 [5.2025]	28000 [47572]	24 x 24 [605 x 605]	FA-202-2P-CG	12	24 x 24 [610 x 610]	12	28	2048 [929]	508 [230]	1540 [699]
808	95 1/8 [2428]	95 1/8 [2434]	64.0 [5.9457]	32000 [54368]	24 x 24 [605 x 605]	FA-202-2P-CG	16	24 x 24 [610 x 610]	16	32	2320 [1007]	560 [209]	1760 [798]
809	95 1/8 [2428]	107 1/8 [2742]	72.0 [6.6890]	36000 [61164]	24 x 24 [605 x 605]	FA-202-2P-CG	16	24 x 24 [610 x 610]	16	36	2628 [1192]	648 [294]	1980 [898]
810	95 1/8 [2428]	119 3/8 [3042]	80.0 [7.4322]	40000 [67960]	24 x 24 [605 x 605]	FA-202-2P-CG	20	24 x 24 [610 x 610]	20	40	2900 [1316]	700 [318]	2200 [998]
811	95 1/8 [2428]	131 3/8 [3349]	88.0 [8.1754]	44000 [74756]	24 x 24 [605 x 605]	FA-202-2P-CG	20	24 x 24 [610 x 610]	20	44	3208 [1455]	788 [357]	2420 [1098]
812	95 1/8 [2428]	143 3/8 [3651]	96.0 [8.9186]	48000 [81552]	24 x 24 [605 x 605]	FA-202-2P-CG	24	24 x 24 [610 x 610]	24	48	3480 [1578]	840 [381]	2640 [1197]

--SALES DRAWING--

Confidential Property of
AAF International
 P.O. Box 2690
 114-3028297
 www.aafintl.com

Material: **ALU** Scale: **1/8"** Date: **07/07/06**

Third Angle Projection SHEET SECTION NO. **D** SHEET 3 OF 3

Filter Bank, Front Access REV.