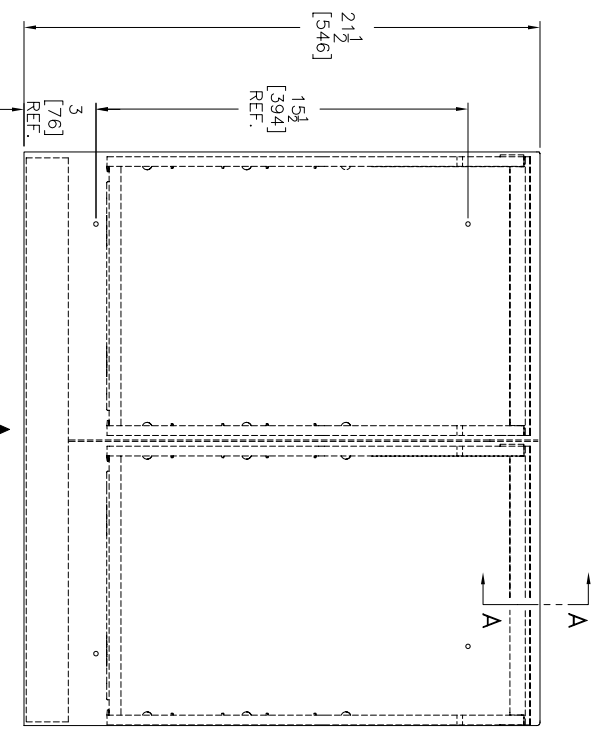
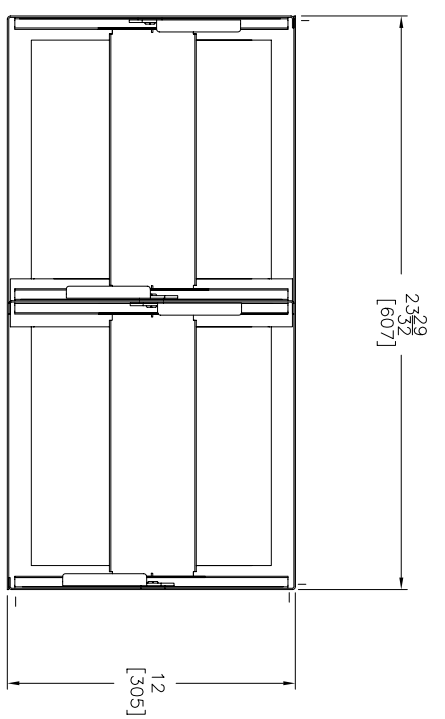


LTR.	CHANGE	CK'D	DATE	APPR	DATE

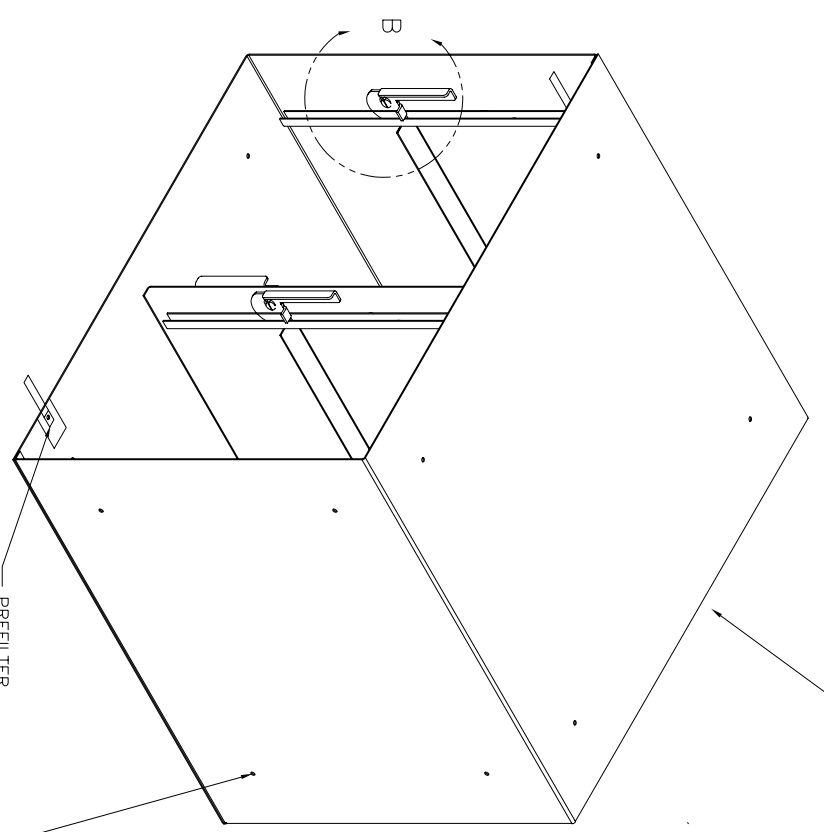


AIR FLOW

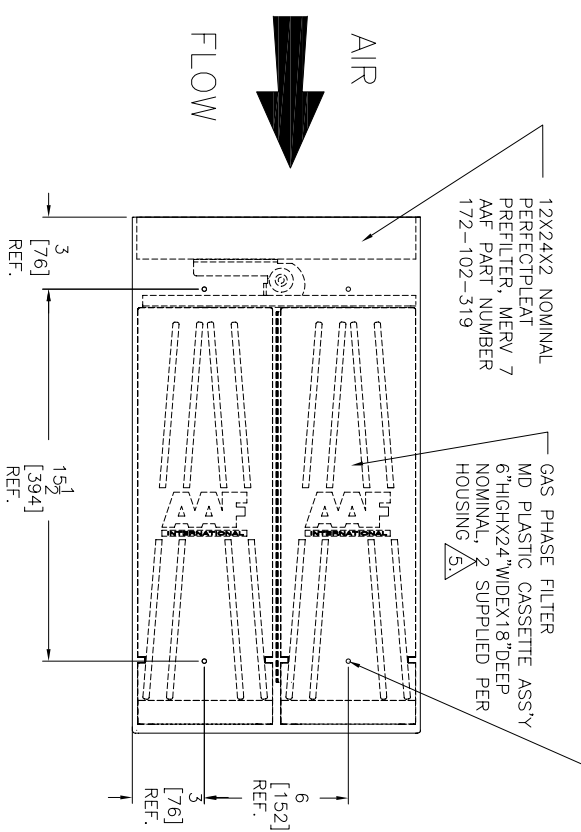
PLAN VIEW  
FILTERS INCLUDED



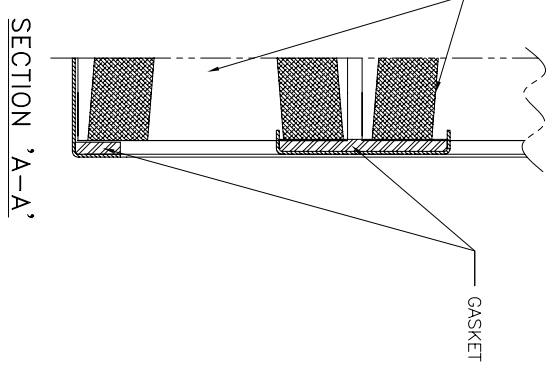
INLET ELEVATION VIEW  
FILTERS NOT SHOWN



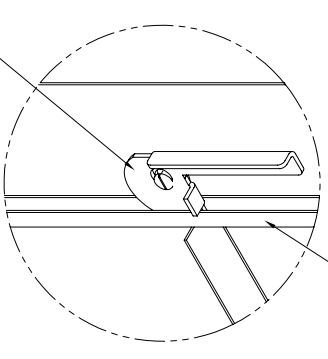
ISOMETRIC VIEW  
FILTERS NOT SHOWN



SIDE ELEVATION VIEW



SECTION 'A-A'



DETAIL 'B'

- NOTES:
1. RATED AIRFLOW: 1,000CFM (1,699CMH).
  2. NOMINAL RATED FACE VELOCITY: 500FPM (2.54M/S).
  3. 16 GAGE STEEL CONSTRUCTION.
  4. PAINTED FINISH, BLACK COLOR.
  5. EACH CASSETTE ASS'Y COMPRISES TWO 6\"/>

--SALES DRAWING--

Confidential Property of  
**AAF International**  
 P.O. Box 26880  
 Dallas, TX 75226-0880  
 www.aafintl.com

Material: **AAAF**  
 Scale: **1/8\"/>**

Drawn: **TH XU** Date: **06/28/06**  
 Checked: **TH XU** Date: **06/28/06**  
 Title: **FA-102-2P-MD**

Tolerance unless otherwise specified: **±1/16**

Third Angle Projection

SHEET SECTION NO. **D** 114D-3027273

REV.

NEXT ASSEMBLY

FORM 1256 REV 1/06 8 7 6 5 4 3 2 1