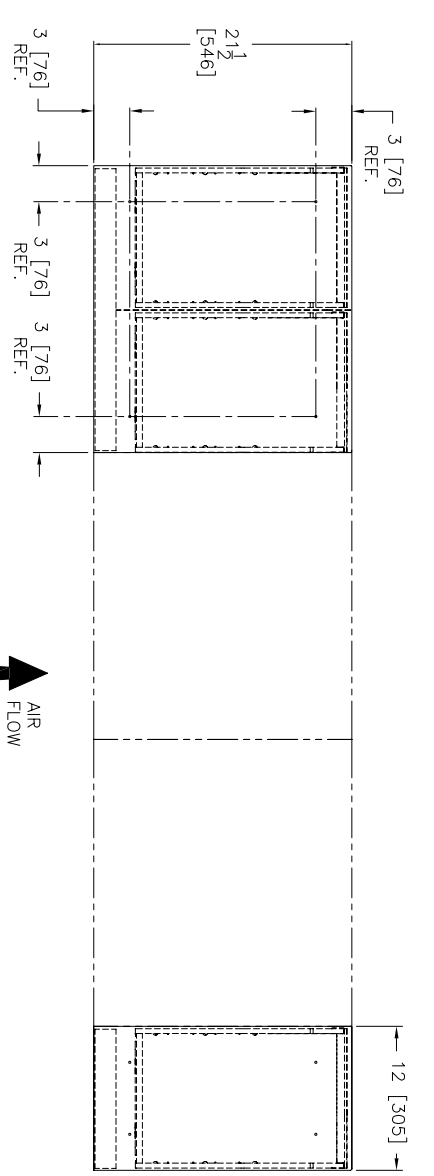


LT#	CHANGE	CK'D	DATE	APPR	DATE

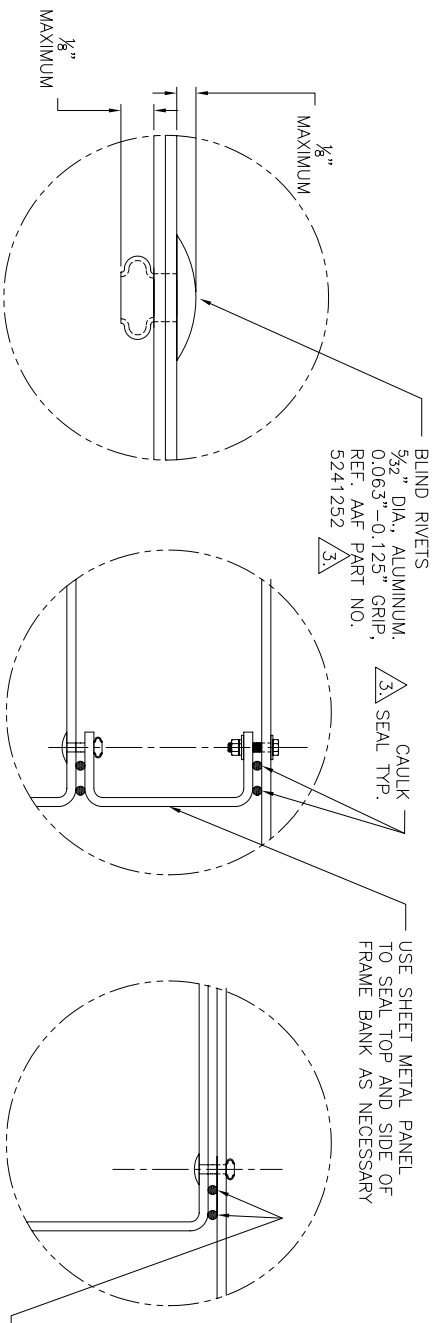


PLAN VIEW
FILTERS INCLUDED

DETAIL 'A'
TYPICAL RIVET DETAIL

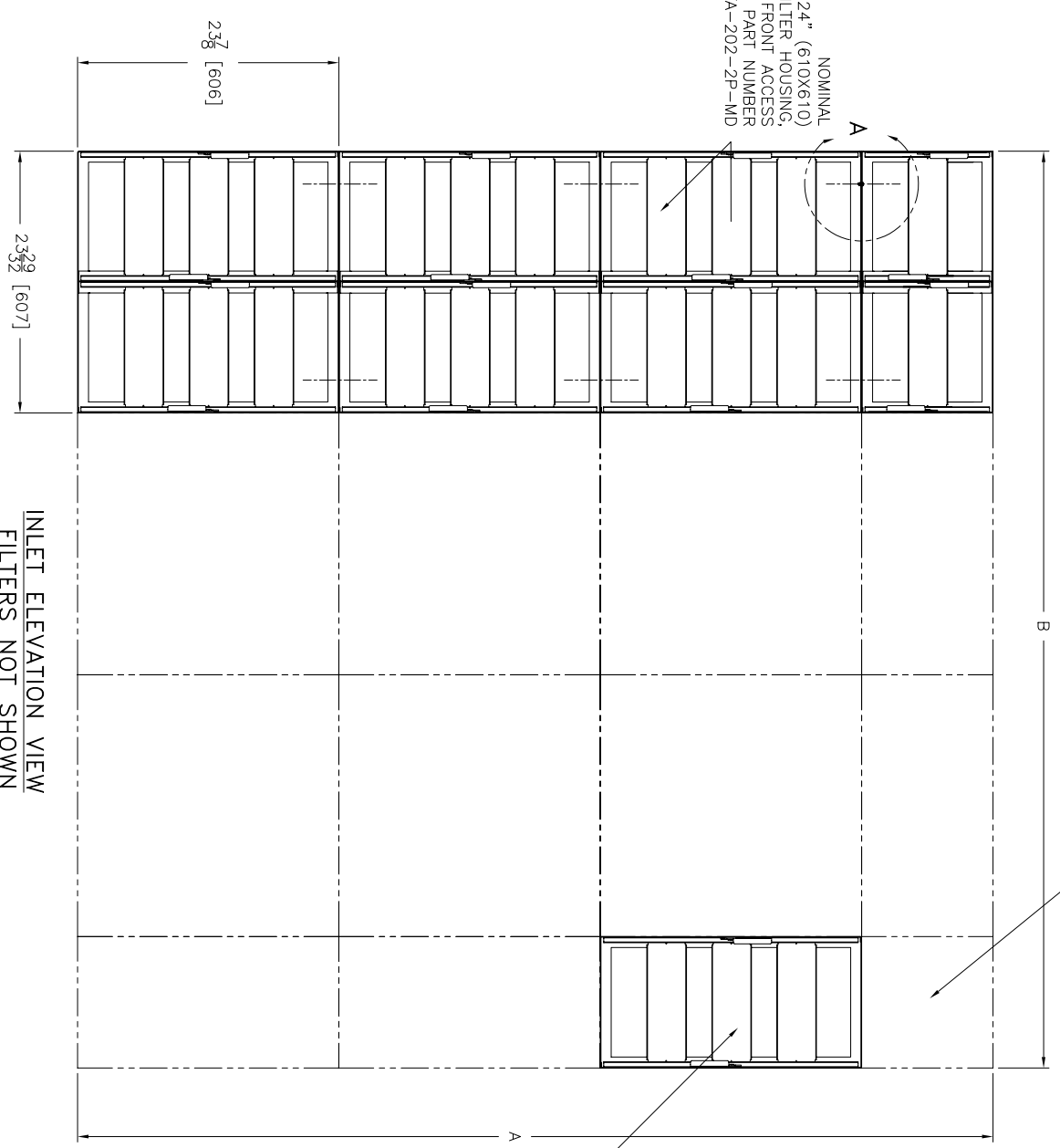
SUGGESTED DUCTWORK CONNECTION DETAIL (A)

SUGGESTED DUCTWORK CONNECTION DETAIL (B)

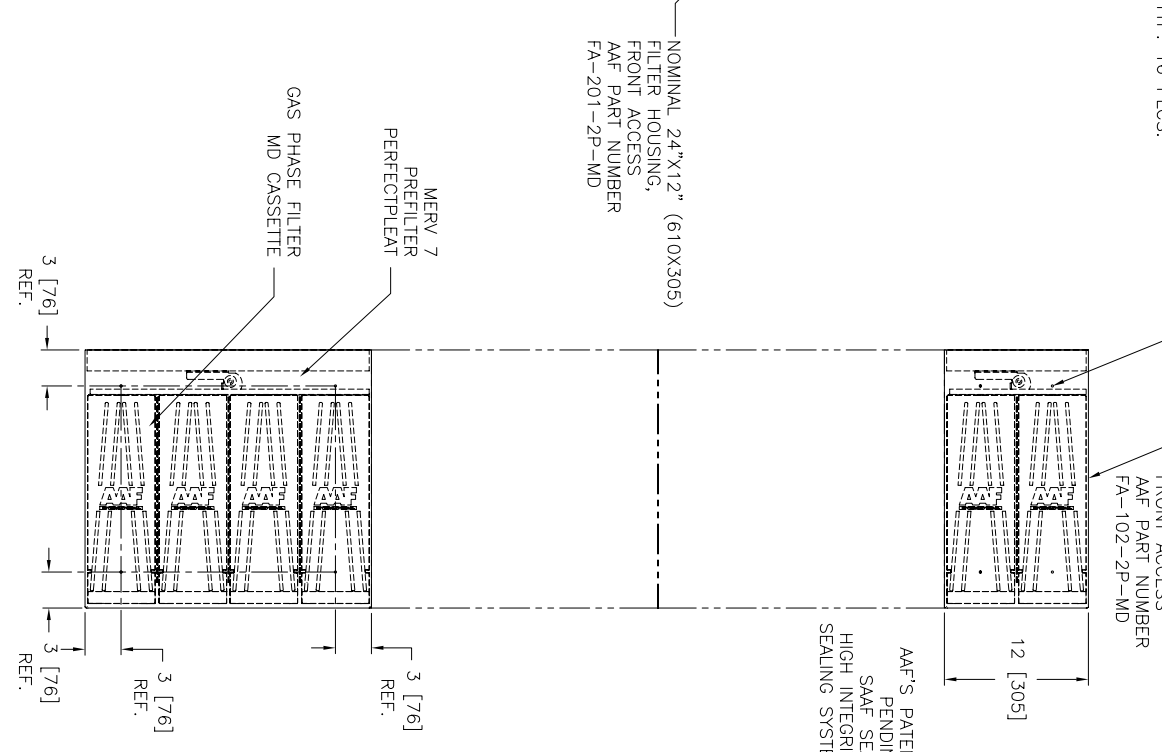


12"x12" NOMINAL BLANK-OFF PANEL BY OTHERS (5)

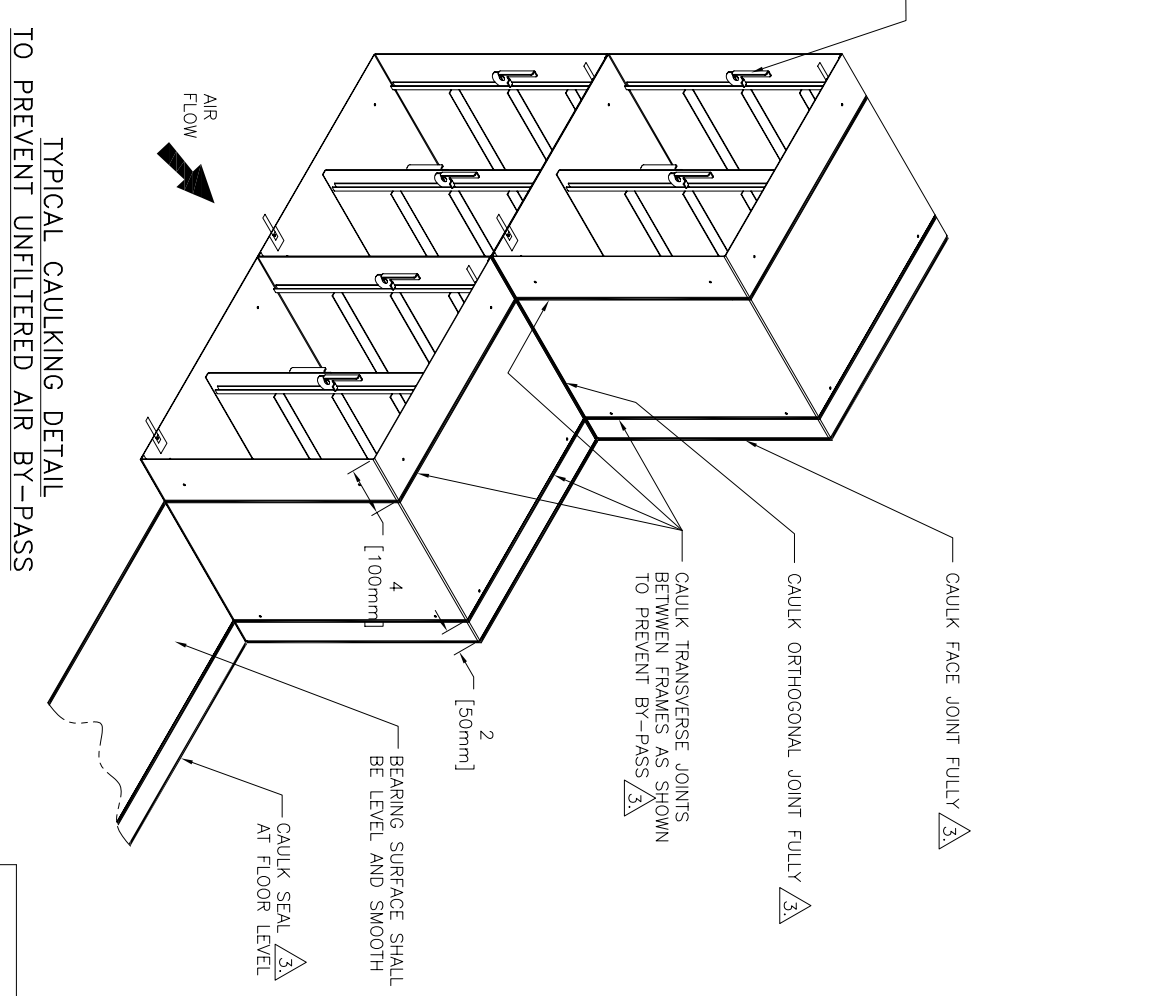
1/8" DIA. TYP RIVET HOLE FOR CONNECTING ADJACENT HOUSING, TYP. 16 PLOS.



INLET ELEVATION VIEW
FILTERS NOT SHOWN



SIDE ELEVATION VIEW
FILTERS INCLUDED



TYPICAL CAULKING DETAIL
TO PREVENT UNFILTERED AIR BY-PASS

PROJECT NAME: _____

CHEMICAL FILTER DETAILS

ITEM IDENTIFICATION NUMBER	QUANTITY	SIZE	HEIGHT			WIDTH			DEPTH			MODEL NUMBER	AIRFLOW ACFM [c.m.h.]	NOM. FACE VELOCITY F.P.M. [m.p.s.]
			IN. [mm]	IN. [mm]	IN. [mm]	IN. [mm]	IN. [mm]	IN. [mm]	IN. [mm]	IN. [mm]	IN. [mm]			

---SALES DRAWING---

Confidential Property of AAF International
P.O. Box 32890
Dallas, TX 75232-2890
www.aafintl.com

Material: _____
Scale: _____
Date: 07/07/06
Rev: 02/07/06

Filter Bank, Front Access
FA-XXX-2P-MD

SHEET SECTION NO. 114-3027919
SHEET 1 OF 4

REV. _____

DATE _____

BY _____

CHK'D _____

DATE _____

APPR _____

DATE _____

CHG	DATE	APPR	DATE

FILTER SCHEDULE FOR FA-2P-MD							
TYPE	FILTER	MERV RATING	CHEMICAL MEDIA	CHEK ONE	PART NUMBER	QTY.	NOMINAL SIZE (HIGH x WIDE x DEEP) IN. [mm]
PREFILTER	PERFECT PLEAT	7	N/A	<input type="checkbox"/>	172-102-863		24 x 24 x 2 [610 x 610 x 50]
	PERFECT PLEAT	7		<input type="checkbox"/>	172-102-319		12 x 24 x 2 [305 x 610 x 50]
CHEMICAL FILTER BANK	MD CASSETTE	N/A	SAAF OXIDANT	<input type="checkbox"/>	114-3024148-2(D)		6 x 24 x 18 [152 x 610 x 457]
			SAAF CARB	<input type="checkbox"/>	114-3024148-3(D)		
			SAAF BLEND	<input type="checkbox"/>	114-3024148-7(D)		
			OTHER <input type="checkbox"/>	<input type="checkbox"/>			

NOMINAL PRESSURE DROP IN WG. [in] @ 500 F.P.M. [2.54 m/f] NOMINAL FACE VELOCITY												
CHEMICAL MEDIA		SAAF OXIDANT		SAAF CARB		SAAF BLEND		ACTUAL (COMPLETE IF ONE OF THE STANDARD OPTIONS AT LEFT IS NOT USED)				
TYPE	INITIAL ΔP	FINAL ΔP	INITIAL ΔP	FINAL ΔP	INITIAL ΔP	FINAL ΔP	INITIAL ΔP	FINAL ΔP	INITIAL ΔP	FINAL ΔP	INITIAL ΔP	
PREFILTER	STANDARD	2" NOMINAL PERFECT PLEAT, MERV 7	0.344 [85.453]	1.0 [248.7]	0.344 [85.453]	1.0 [248.7]	0.344 [85.453]	1.0 [248.7]				
CHEMICAL FILTER BANK		MD CASSETTE	0.31 [77.097]	0.31 [77.097]	0.35 [87.045]	0.35 [87.045]	0.34 [84.558]	0.34 [84.558]				
TOTAL ΔP (N. W.G.)			0.654 [162.65]	1.31 [325.80]	0.654 [172.60]	1.35 [335.75]	0.684 [170.11]	1.34 [333.26]				

SIZE	FA-2P-MD FRAME BANK SIZES, DIMENSIONS, RATED AIRFLOW, FRAME & FILTER QUANTITIES, AND WEIGHTS												
	ACTUAL FILTER FACE AREA			NOMINAL AREA SQ. FT. [sq. m.]	CFM AIRFLOW @ 500F.P.M. [2.54m/s] VELOCITY	FRAME QUANTITIES			FILTER QUANTITIES			OPERATING WEIGHT lbs[kg]	SHIPPING WEIGHT lbs[kg]
	HEIGHT A	WIDTH B	FACE AREA IN. [mm]			NOMINAL FILTER FACE AREA HIGH x WIDE IN. [mm]	MODEL	PER FILTER BANK	NOMINAL FILTER FACE AREA HIGH x WIDE IN. [mm]	PER FILTER BANK	PER MD CASSETTES PER FILTER BANK		
102	12 [305]	23 7/8 [607]	23 7/8 [607]	2.0 [0.1858]	1000 [1899]	12 x 24 [305 x 610]	FA-102-2P-MD	1	12 x 24 [305 x 610]	1	80 [37]	37 [17]	43 [20]
104	12 [305]	47 7/8 [1216]	47 7/8 [1216]	4.0 [0.3716]	2000 [3398]	12 x 24 [305 x 610]	FA-102-2P-MD	2	12 x 24 [305 x 610]	2	160 [73]	74 [34]	86 [39]
106	12 [305]	71 13/16 [1824]	71 13/16 [1824]	6.0 [0.5574]	3000 [5097]	12 x 24 [305 x 610]	FA-102-2P-MD	3	12 x 24 [305 x 610]	3	240 [109]	111 [50]	129 [59]
201	23 7/8 [606]	12 [305]	12 [305]	2.0 [0.1858]	1000 [1699]	24 x 12 [610 x 305]	FA-201-2P-MD	1	12 x 24 [305 x 610]	1	76 [35]	33 [15]	43 [20]
202	23 7/8 [606]	23 7/8 [607]	23 7/8 [607]	4.0 [0.3716]	2000 [3398]	24 x 24 [605 x 605]	FA-202-2P-MD	1	24 x 24 [610 x 610]	1	141 [64]	55 [25]	86 [39]
203	23 7/8 [606]	35 3/4 [914]	35 3/4 [914]	6.0 [0.5574]	3000 [5097]	24 x 12 [610 x 305]	FA-201-2P-MD	1	12 x 24 [305 x 610]	1	217 [99]	88 [40]	129 [59]
204	23 7/8 [606]	47 7/8 [1216]	47 7/8 [1216]	8.0 [0.7432]	4000 [6796]	24 x 24 [605 x 605]	FA-202-2P-MD	2	24 x 24 [610 x 610]	2	282 [138]	110 [50]	172 [78]
205	23 7/8 [606]	59 1/8 [1522]	59 1/8 [1522]	10.0 [0.9290]	5000 [8495]	24 x 24 [605 x 605]	FA-202-2P-MD	2	24 x 24 [610 x 610]	2	258 [163]	143 [65]	215 [98]
206	23 7/8 [606]	71 7/8 [1824]	71 7/8 [1824]	12.0 [1.148]	6000 [10194]	24 x 24 [605 x 605]	FA-202-2P-MD	3	24 x 24 [610 x 610]	3	423 [192]	165 [75]	258 [117]
207	23 7/8 [606]	83 3/8 [2131]	83 3/8 [2131]	14.0 [1.3006]	7000 [11893]	24 x 24 [605 x 605]	FA-202-2P-MD	3	24 x 24 [610 x 610]	3	497 [226]	196 [89]	301 [137]
208	23 7/8 [606]	95 1/8 [2434]	95 1/8 [2434]	16.0 [1.4864]	8000 [13592]	24 x 24 [605 x 605]	FA-202-2P-MD	4	24 x 24 [610 x 610]	4	564 [256]	220 [100]	344 [156]

(CHART CONTINUES ON SHEET 3)

- NOTES:
- 1 TOTAL FRAME DIMENSIONS ARE SHOWN ON SHEETS 2,3,4 OF 4. NOTE THAT 3/32" HAS BEEN INCLUDED FOR EACH CAULKED JOINT BETWEEN HORIZONTAL SURFACES IN CALCULATION OF TOTAL HEIGHT, AND 1/16" HAS BEEN INCLUDED FOR EACH CAULKED JOINT BETWEEN VERTICAL SURFACES IN CALCULATION OF TOTAL HORIZONTAL WIDTH.
 - 2 MAXIMUM NUMBER OF FRAMES THAT MAY BE STACKED VERTICALLY WITHOUT INTERMEDIATE SUPPORTS IS 4. THERE IS NO LIMIT ON THE WIDTH OF A BUILT-UP FILTER BANK.
 - 3 CAULK & RIVETS SUPPLIED BY OTHERS.
 - 4 DEPENDING ON THE APPLICATION, SAAF MAY RECOMMEND AN ALTERNATE ENGINEERED CHEMICAL MEDIA.
 - 5 THE REFERENCED BLANK SHALL BE SUPPLIED BY THE FRAME BANK INSTALLER OR BY OTHERS.
 - 6 OPERATING AND SHIPPING WEIGHTS SHOWN ARE BASED ON SAAF OXIDANT CHEMICAL MEDIA.

--SALES DRAWING--

NEXT ASSEMBLY

<p>Tolerance Dimensions Unless Specified:</p> <p>± 1/16</p> <p>Scale: 1" = 1'-0"</p> <p>Third Angle Projection</p>	<p>Material: <input type="checkbox"/> 304 SS</p> <p>Confidential Property of AAI International P.O. Box 2680 232-5690 www.aaiintl.com</p> <p>Issue Date: 07/07/06</p> <p>Rev: 02/07/06</p> <p>Confidential Property of AAI International P.O. Box 2680 232-5690 www.aaiintl.com</p> <p>Issue Date: 07/07/06</p> <p>Rev: 02/07/06</p>
--	--

FILTER BANK, FRONT ACCESS

FA-XXX-2P-MD

SHEET SECTION NO. 114-3027919

SHEET 2 OF 4

LTR.	CHANGE	CK'D	DATE	APPR	DATE

SIZE	ACTUAL FILTER FACE AREA		NOMINAL AREA SQ. FT. [sq. m.]	CFM AIRFLOW @ 500F.P.M. [2.54m/s] VELOCITY	FRAME QUANTITIES			FILTER QUANTITIES			GAS PHASE (152X610X457) MD CASSETTES PER FILTER BANK	OPERATING WEIGHT lbs[kg]	SHIPPING WEIGHT	
	HEIGHT A [IN. [mm]]	WIDTH B [IN. [mm]]			NOMINAL FILTER FACE AREA HIGH x WIDE IN. [mm]	MODEL	PER FILTER BANK	PARTICULATE NOMINAL FILTER FACE AREA HIGH x WIDE IN. [mm]	PER FILTER BANK	PER (152X610X457) MD CASSETTES PER FILTER BANK			FRAME WEIGHT lbs[kg]	CASSETTES
302	35 ⁵ / ₈ [912]	23 ³ / ₈ [607]	6.0 [0.5574]	3000 [5097]	12 x 24 [305 x 610]	FA-102-2P-MD	1	24 x 24 [610 x 610]	1	6	221 [101]	92 [42]	129 [59]	
303	35 ⁵ / ₈ [912]	35 ³ / ₈ [914]	8.0 [0.7432]	4000 [6796]	12 x 24 [305 x 610]	FA-102-2P-MD	1	24 x 24 [610 x 610]	1	8	301 [137]	129 [59]	172 [78]	
304	35 ⁵ / ₈ [912]	47 ⁷ / ₈ [1216]	12.0 [1.1148]	6000 [10194]	12 x 24 [305 x 610]	FA-102-2P-MD	2	24 x 24 [610 x 610]	2	12	442 [95]	184 [83]	258 [12]	
305	35 ⁵ / ₈ [912]	59 ¹ / ₈ [1522]	14.0 [1.3006]	7000 [11893]	12 x 24 [305 x 610]	FA-102-2P-MD	2	24 x 24 [610 x 610]	2	14	518 [235]	217 [98]	301 [137]	
306	35 ⁵ / ₈ [912]	71 ¹ / ₈ [1824]	18.0 [1.6723]	9000 [15291]	12 x 24 [305 x 610]	FA-102-2P-MD	3	24 x 24 [610 x 610]	2	18	663 [301]	276 [125]	387 [176]	
307	35 ⁵ / ₈ [912]	83 ³ / ₈ [2131]	20 [1.8581]	10000 [16990]	12 x 24 [305 x 610]	FA-102-2P-MD	3	24 x 24 [610 x 610]	3	20	739 [335]	309 [140]	430 [195]	
308	35 ⁵ / ₈ [912]	95 ¹ / ₈ [2434]	24.0 [2.2297]	12000 [20388]	12 x 24 [305 x 610]	FA-102-2P-MD	4	24 x 24 [610 x 610]	4	24	884 [398]	368 [167]	516 [234]	
309	35 ⁵ / ₈ [912]	107 ¹ / ₈ [2742]	26.0 [2.4155]	13000 [22087]	12 x 24 [305 x 610]	FA-102-2P-MD	4	24 x 24 [610 x 610]	5	26	960 [436]	401 [182]	559 [254]	
402	47 ⁵ / ₈ [1214]	23 ³ / ₈ [607]	8.0 [0.7432]	4000 [6796]	24 x 24 [305 x 305]	FA-202-2P-MD	2	24 x 24 [610 x 610]	2	8	282 [128]	110 [50]	172 [78]	
403	47 ⁵ / ₈ [1214]	35 ³ / ₈ [914]	12.0 [1.1148]	6000 [10194]	24 x 24 [610 x 610]	FA-202-2P-MD	2	24 x 24 [610 x 610]	2	12	434 [197]	176 [80]	258 [117]	
404	47 ⁵ / ₈ [1214]	47 ⁷ / ₈ [1216]	16.0 [1.4864]	8000 [13592]	24 x 24 [305 x 305]	FA-202-2P-MD	4	24 x 24 [610 x 610]	4	16	564 [256]	220 [100]	344 [156]	
405	47 ⁵ / ₈ [1214]	59 ¹ / ₈ [1522]	20.0 [1.8581]	10000 [16990]	24 x 24 [610 x 610]	FA-202-2P-MD	4	24 x 24 [610 x 610]	4	20	716 [325]	286 [130]	430 [195]	
406	47 ⁵ / ₈ [1214]	71 ¹ / ₈ [1824]	24.0 [2.2297]	12000 [20388]	24 x 24 [605 x 605]	FA-202-2P-MD	6	24 x 24 [610 x 610]	6	24	846 [384]	330 [150]	516 [234]	
407	47 ⁵ / ₈ [1214]	83 ³ / ₈ [2131]	28.0 [2.6013]	14000 [23786]	24 x 24 [605 x 605]	FA-202-2P-MD	6	24 x 24 [610 x 610]	6	28	998 [453]	396 [180]	602 [273]	

SIZE	ACTUAL FILTER FACE AREA		NOMINAL AREA SQ. FT. [sq. m.]	CFM AIRFLOW @ 500F.P.M. [2.54m/s] VELOCITY	FRAME QUANTITIES			FILTER QUANTITIES			GAS PHASE (152X610X457) MD CASSETTES PER FILTER BANK	OPERATING WEIGHT lbs[kg]	SHIPPING WEIGHT	
	HEIGHT A [IN. [mm]]	WIDTH B [IN. [mm]]			NOMINAL FILTER FACE AREA HIGH x WIDE IN. [mm]	MODEL	PER FILTER BANK	PARTICULATE NOMINAL FILTER FACE AREA HIGH x WIDE IN. [mm]	PER FILTER BANK	PER (152X610X457) MD CASSETTES PER FILTER BANK			FRAME WEIGHT lbs[kg]	CASSETTES
504	59 ¹ / ₈ [1519]	47 ⁷ / ₈ [1216]	20.0 [1.8580]	10000 [16990]	12 x 24 [305 x 610]	FA-102-2P-MD	2	24 x 24 [610 x 610]	4	20	726 [328]	294 [133]	430 [195]	
505	59 ¹ / ₈ [1519]	59 ¹ / ₈ [1522]	24.0 [2.2296]	12000 [20388]	12 x 24 [305 x 610]	FA-102-2P-MD	2	24 x 24 [610 x 610]	4	24	876 [397]	360 [163]	516 [234]	
506	59 ¹ / ₈ [1519]	71 ¹ / ₈ [1824]	30.0 [2.7870]	15000 [25485]	12 x 24 [305 x 610]	FA-102-2P-MD	3	24 x 24 [610 x 610]	6	30	1086 [493]	441 [200]	645 [293]	
507	59 ¹ / ₈ [1519]	83 ³ / ₈ [2131]	34 [3.1587]	17000 [28883]	12 x 24 [605 x 605]	FA-102-2P-MD	3	24 x 24 [610 x 610]	5	34	1238 [562]	507 [230]	731 [332]	
508	59 ¹ / ₈ [1519]	95 ¹ / ₈ [2434]	40.0 [3.7161]	20000 [33980]	12 x 24 [305 x 610]	FA-102-2P-MD	4	24 x 24 [610 x 610]	8	40	1448 [657]	588 [267]	860 [390]	
509	59 ¹ / ₈ [1519]	107 ¹ / ₈ [2742]	44.0 [4.0877]	22000 [37378]	12 x 24 [305 x 610]	FA-102-2P-MD	4	24 x 24 [610 x 610]	6	44	1600 [726]	654 [297]	946 [429]	
510	59 ¹ / ₈ [1519]	119 ³ / ₈ [3042]	50.0 [5.096]	25000 [42475]	12 x 24 [305 x 610]	FA-102-2P-MD	5	24 x 24 [610 x 610]	10	50	1810 [821]	735 [333]	1075 [488]	

(CHART CONTINUES ON SHEET 4)

--SALES DRAWING--

Confidential Property of
AAF International
 P.O. Box 2690
 114-3027/919
 www.aafintl.com

Material: _____
 Scale: _____
 Date: 07/07/06
 Appr: _____
 Date: 07/07/06

Third Angle Projection

AAF
 FILTER BANK, FRONT ACCESS
 FA-XXX-2P-MD

SHEET NO. 114-3027/919
 SECTION NO. D
 SHEET 3 OF 4

REV. _____

LTR.	CHANGE	CK'D	DATE	APPR	DATE

SIZE	ACTUAL FILTER FACE AREA		NOMINAL AREA SQ. FT. [sq. m.]	CFM AIRFLOW @ 500F.P.M. [2.54m/s] VELOCITY	FRAME QUANTITIES		PARTICULATE		GAS PHASE 6"x24"x18" (152X610X457) MD CASSETTES PER FILTER BANK	OPERATING WEIGHT lbs[kg]	SHIPPING WEIGHT lbs[kg]			
	HEIGHT A	WIDTH B			PER FILTER BANK	NOMINAL FILTER FACE AREA HIGH x WIDE IN. [mm]	PER FILTER BANK	NOMINAL FILTER FACE AREA HIGH x WIDE IN. [mm]			PER FILTER BANK	FRAME WEIGHT	CASSETTES	
	IN. [mm]	IN. [mm]												
603	7'11 1/8" [1821]	35 3/8" [914]	18.0 [1.6722]	9000 [15291]	24 x 24 [610 x 610]	FA-202-2P-MD	3	24 x 24 [610 x 610]	3	24 x 24 [610 x 610]	6	651 [376]	264 [200]	387 [176]
604	7'11 1/8" [1821]	47 7/8" [1216]	24.0 [2.2297]	12000 [20388]	24 x 24 [605 x 605]	FA-202-2P-MD	6	24 x 24 [610 x 610]	6	24 x 24 [610 x 610]	6	846 [384]	330 [150]	516 [234]
605	7'11 1/8" [1821]	59 1/8" [1522]	30.0 [2.7870]	15000 [25485]	24 x 24 [605 x 605]	FA-202-2P-MD	6	24 x 24 [610 x 610]	6	24 x 24 [610 x 610]	6	1074 [488]	429 [195]	645 [293]
606	7'11 1/8" [1821]	71 3/8" [1824]	36.0 [3.3445]	18000 [30582]	24 x 24 [605 x 605]	FA-202-2P-MD	9	24 x 24 [610 x 610]	9	24 x 24 [610 x 610]	9	1269 [576]	495 [225]	774 [351]
607	7'11 1/8" [1821]	83 3/8" [2131]	42.0 [3.9019]	21000 [35679]	24 x 24 [605 x 605]	FA-202-2P-MD	9	24 x 24 [610 x 610]	9	24 x 24 [610 x 610]	9	1497 [679]	594 [269]	903 [410]
608	7'11 1/8" [1821]	95 1/8" [2434]	48.0 [4.4593]	24000 [40776]	24 x 24 [605 x 605]	FA-202-2P-MD	12	24 x 24 [610 x 610]	12	24 x 24 [610 x 610]	12	1692 [767]	660 [299]	1032 [468]
609	7'11 1/8" [1821]	107 1/8" [2742]	54.0 [5.0167]	27000 [45873]	24 x 24 [605 x 605]	FA-202-2P-MD	12	24 x 24 [610 x 610]	12	24 x 24 [610 x 610]	12	1920 [871]	759 [344]	1161 [527]
610	7'11 1/8" [1821]	119 3/8" [3042]	60.0 [5.5741]	30000 [50970]	24 x 24 [605 x 605]	FA-202-2P-MD	15	24 x 24 [610 x 610]	15	24 x 24 [610 x 610]	15	2115 [959]	825 [374]	1290 [585]
703	8'3 3/8" [2126]	35 3/8" [914]	20.0 [1.8581]	10000 [16990]	24 x 24 [605 x 605]	FA-201-2P-MD	3	24 x 24 [610 x 610]	3	24 x 24 [610 x 610]	3	731 [332]	301 [137]	430 [195]
704	8'3 3/8" [2126]	47 7/8" [1216]	28.0 [2.6012]	14000 [16990]	24 x 24 [605 x 605]	FA-202-2P-MD	6	24 x 24 [610 x 610]	6	24 x 24 [610 x 610]	6	1006 [456]	404 [183]	602 [273]
705	8'3 3/8" [2126]	59 1/8" [1522]	34.0 [3.1587]	17000 [28883]	24 x 24 [605 x 605]	FA-202-2P-MD	6	24 x 24 [610 x 610]	6	24 x 24 [610 x 610]	6	1234 [560]	503 [228]	731 [332]
706	8'3 3/8" [2126]	71 3/8" [1824]	42.0 [3.9019]	21000 [35679]	24 x 24 [605 x 605]	FA-202-2P-MD	9	24 x 24 [610 x 610]	9	24 x 24 [610 x 610]	9	1509 [685]	606 [275]	903 [410]
707	8'3 3/8" [2126]	83 3/8" [2131]	48 [4.4593]	24000 [40776]	24 x 24 [605 x 605]	FA-201-2P-MD	3	24 x 24 [610 x 610]	3	24 x 24 [610 x 610]	3	1737 [788]	705 [320]	1032 [468]
708	8'3 3/8" [2126]	95 1/8" [2434]	56.0 [5.2025]	28000 [47572]	24 x 24 [605 x 605]	FA-102-2P-MD	4	24 x 24 [610 x 610]	4	24 x 24 [610 x 610]	4	2012 [913]	808 [367]	1204 [546]
709	8'3 3/8" [2126]	107 1/8" [2742]	62.0 [5.7599]	31000 [52669]	24 x 24 [605 x 605]	FA-201-2P-MD	3	24 x 24 [610 x 610]	3	24 x 24 [610 x 610]	3	2240 [1016]	907 [411]	1333 [605]

SIZE	ACTUAL FILTER FACE AREA		NOMINAL AREA SQ. FT. [sq. m.]	CFM AIRFLOW @ 500F.P.M. [2.54m/s] VELOCITY	FRAME QUANTITIES		PARTICULATE		GAS PHASE 6"x24"x18" (152X610X457) MD CASSETTES PER FILTER BANK	OPERATING WEIGHT lbs[kg]	SHIPPING WEIGHT lbs[kg]			
	HEIGHT A	WIDTH B			PER FILTER BANK	NOMINAL FILTER FACE AREA HIGH x WIDE IN. [mm]	PER FILTER BANK	NOMINAL FILTER FACE AREA HIGH x WIDE IN. [mm]			PER FILTER BANK	PER FILTER BANK	FRAME WEIGHT	CASSETTES
	IN. [mm]	IN. [mm]												
805	9'5 1/8" [2428]	59 1/8" [1522]	40.0 [3.7161]	20000 [33980]	24 x 24 [605 x 605]	FA-202-2P-MD	8	24 x 24 [610 x 610]	8	24 x 24 [610 x 610]	8	1432 [649]	572 [259]	860 [390]
806	9'5 1/8" [2428]	71 3/8" [1824]	48.0 [4.4593]	24000 [40776]	24 x 24 [605 x 605]	FA-202-2P-MD	12	24 x 24 [610 x 610]	12	24 x 24 [610 x 610]	12	1692 [767]	660 [299]	1032 [468]
807	9'5 1/8" [2428]	83 3/8" [2131]	56.0 [5.2025]	28000 [47572]	24 x 24 [605 x 605]	FA-202-2P-MD	16	24 x 24 [610 x 610]	16	24 x 24 [610 x 610]	16	1996 [905]	792 [359]	1204 [546]
808	9'5 1/8" [2428]	95 1/8" [2434]	64.0 [5.9457]	32000 [54368]	24 x 24 [605 x 605]	FA-202-2P-MD	16	24 x 24 [610 x 610]	16	24 x 24 [610 x 610]	16	2256 [1023]	880 [399]	1376 [624]
809	9'5 1/8" [2428]	107 1/8" [2742]	72.0 [6.6890]	36000 [61164]	24 x 24 [605 x 605]	FA-202-2P-MD	16	24 x 24 [610 x 610]	16	24 x 24 [610 x 610]	16	2560 [1161]	1012 [459]	1548 [702]
810	9'5 1/8" [2428]	119 3/8" [3042]	80.0 [7.4322]	40000 [67960]	24 x 24 [605 x 605]	FA-202-2P-MD	20	24 x 24 [610 x 610]	20	24 x 24 [610 x 610]	20	2820 [1279]	1100 [499]	1720 [780]
811	9'5 1/8" [2428]	131 3/8" [3349]	88.0 [8.1754]	44000 [74756]	24 x 24 [605 x 605]	FA-202-2P-MD	20	24 x 24 [610 x 610]	20	24 x 24 [610 x 610]	20	3124 [1417]	1232 [559]	1892 [858]
812	9'5 1/8" [2428]	143 3/8" [3651]	96.0 [8.9186]	48000 [81552]	24 x 24 [605 x 605]	FA-202-2P-MD	24	24 x 24 [610 x 610]	24	24 x 24 [610 x 610]	24	3384 [1535]	1320 [599]	2064 [936]

--SALES DRAWING--

Confidential Property of
AAF International
 P.O. Box 2680
 114-3027919
 www.aafintl.com

Material: **ALU** Scale: **1/8"** Date: **07/07/06**

Third Angle Projection

SHEET SECTION NO. **D** SHEET 4 OF 4

REV.