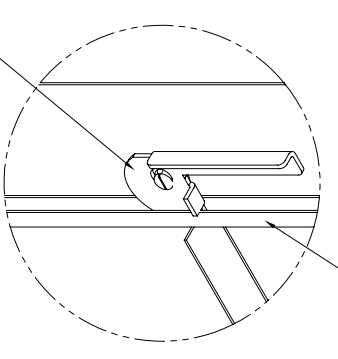
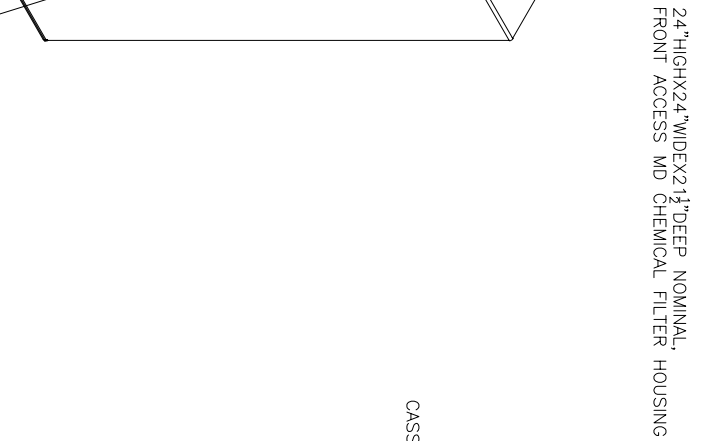
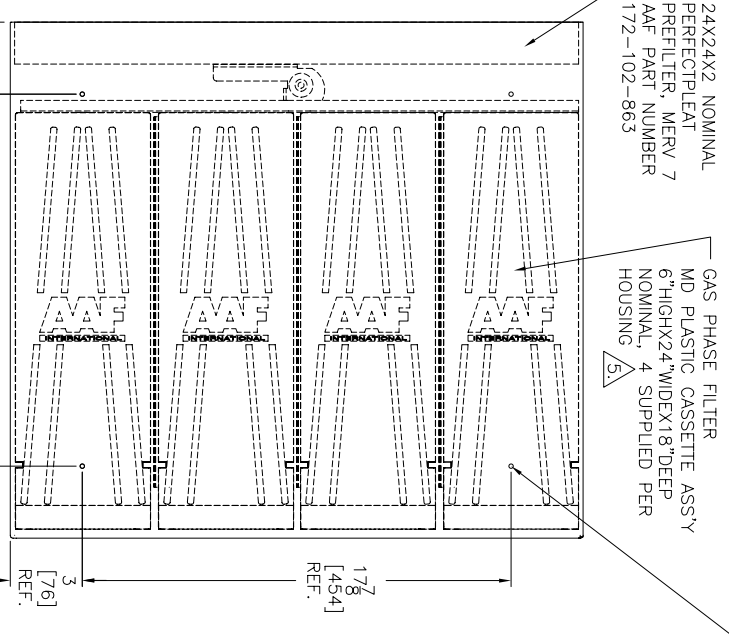
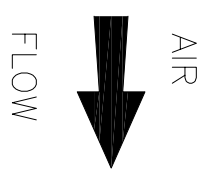
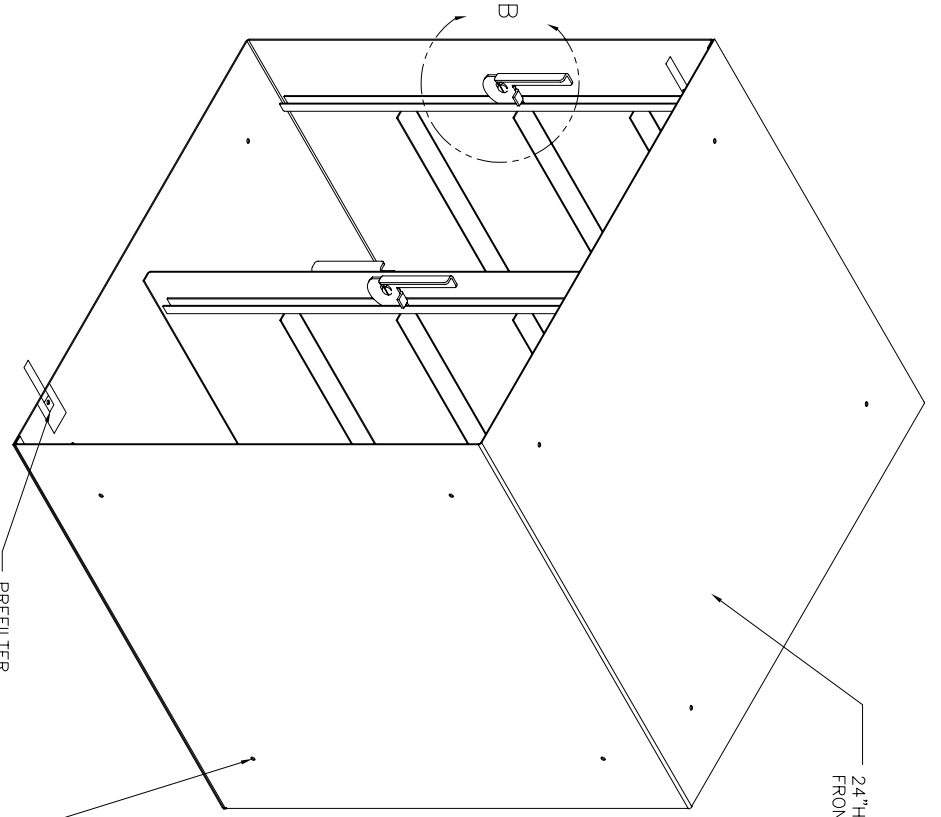
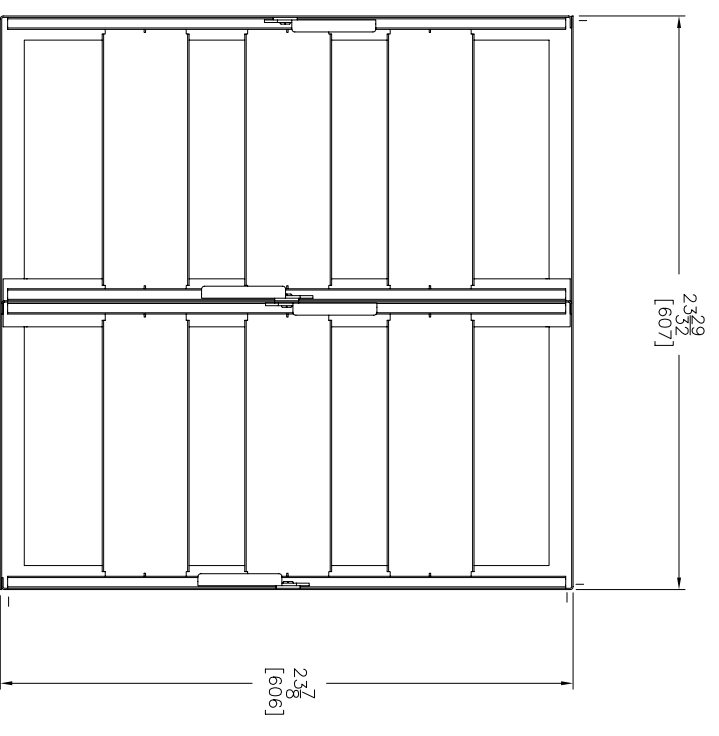
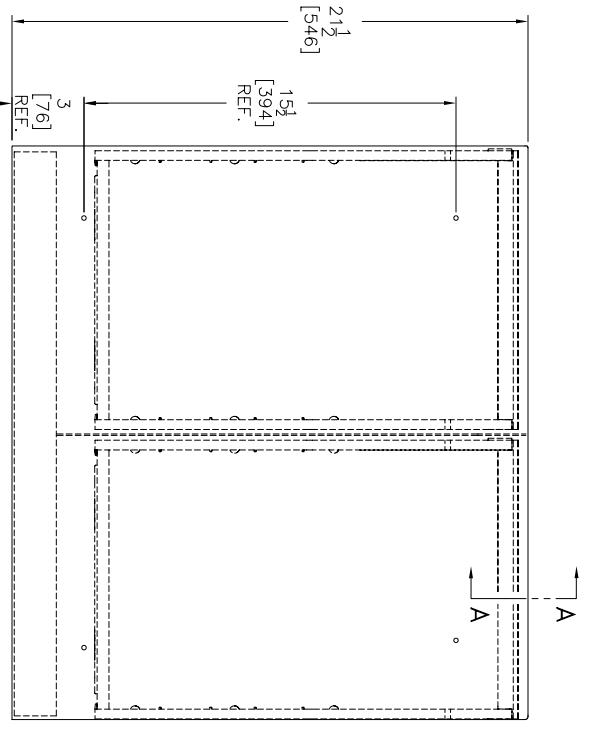


LTR.	CHANGE	CK'D	DATE	APPR	DATE



NOTES:

1. RATED AIRFLOW: 2.000CFM (3.398CMM).
2. NOMINAL RATED FACE VELOCITY: 500FPM (2.54M/S).
3. 16 GAGE STEEL CONSTRUCTION.
4. PAINTED FINISH, BLACK COLOR.
5. EACH CASSETTE ASS'Y COMPRISES TWO 6"HIGHX12"WIDEX18"DEEP, NOMINAL, MODULES.

--SALES DRAWING--

<p>Tolerance unless otherwise specified: ±1/16</p> <p>Third Angle Projection</p>	<p>Material: _____</p> <p>Scale: _____</p> <p>Drawn: B. XU</p> <p>Checked: _____</p> <p>Date: 06/28/06</p>	<p>Confidential Property of AAF International P.O. Box 3090 332-5690 www.aafintl.com</p>
<p>Filter Housing, Front Access FA-202-2P-MD</p>	<p>SHEET SIZE: D</p> <p>SECTION NO.: _____</p>	<p>CONFIDENTIAL</p>