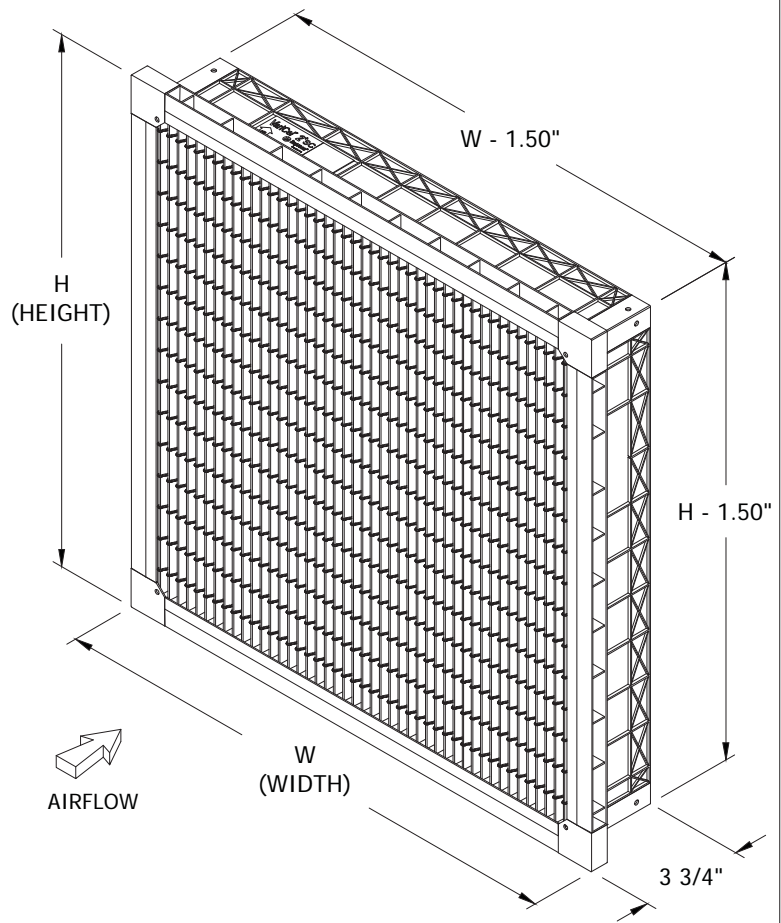


## REVISIONS


**(A)** CORRECT SPELLING OF POLYSTYRENE  
GAC 4SEP14 - GC 4SEP14 - RDLSEP14

AAF PART NUMBER	NOMINAL SIZE		ACTUAL SIZE		RATED AIRFLOW (CFM)	MEDIA AREA (ft <sup>2</sup> )	RATED INITIAL RESISTANCE @ 500 FPM (in. W.G.)	RECOMMENDED FINAL RESISTANCE (in. W.G.)	ASHRAE 52.2 MERV	CONTINUOUS OPERATING TEMPERATURE LIMITS		FILTERS PER CARTON
	W	H	W	H						DEG F	DEG C	
3101951-601	12	24	11 3/8	23 3/8	1000	22.0	0.35	1.50	11	150	66	4
3101951-602	16	20	15 3/8	19 3/8	1100	25.5						
3101951-603	16	25	24 3/8	15 3/8	1400	32.1						
3101951-604	18	24	17 3/8	23 3/8	1500	35.5						
3101951-605	20	20	19 3/8	19 3/8	1400	31.4						
3101951-606	20	24	19 3/8	23 3/8	1650	38.6						
3101951-607	20	25	24 3/8	19 3/8	1750	41.6						
3101951-608	24	24	23 3/8	23 3/8	2000	48.0						
3101951-611	12	12	11 3/8	11 3/8	500	9.7						
3101951-801	12	24	11 3/8	23 3/8	1000	22.0						
3101951-802	16	20	15 3/8	19 3/8	1100	25.5						
3101951-803	16	25	24 3/8	15 3/8	1400	32.1						
3101951-804	18	24	17 3/8	23 3/8	1500	35.5						
3101951-805	20	20	19 3/8	19 3/8	1400	31.4						
3101951-806	20	24	19 3/8	23 3/8	1650	38.6						
3101951-807	20	25	24 3/8	19 3/8	1750	41.6						
3101951-808	24	24	23 3/8	23 3/8	2000	48.0						
3101951-811	12	12	11 3/8	11 3/8	500	9.7						
3101951-901	12	24	11 3/8	23 3/8	1000	22.0						
3101951-902	16	20	15 3/8	19 3/8	1100	25.5						
3101951-903	16	25	24 3/8	15 3/8	1400	32.1						
3101951-904	18	24	17 3/8	23 3/8	1500	35.5						
3101951-905	20	20	19 3/8	19 3/8	1400	31.4						
3101951-906	20	24	19 3/8	23 3/8	1650	38.6						
3101951-907	20	25	24 3/8	19 3/8	1750	41.6						
3101951-908	24	24	23 3/8	23 3/8	2000	48.0						
3101951-911	12	12	11 3/8	11 3/8	500	9.7						

- FRAME:  
HIGH IMPACT POLYSTYRENE, COLOR - BLACK
- CORNER  
ACRYLONITRILE BUTADIENE STYRENE, COLOR - BLACK
- MEDIA:  
100% SYNTHETIC FIBER UNIFORM MEDIA  
WITH CONTROLLED FIBER SIZE AND BLEND
- SEPARATOR:  
HOT MELT, OPAQUE TO CLEAR
- ASSEMBLY ADHESIVE:  
COPOLYMER EMULSION, WATER BASED
- UL 900 CLASSIFIED
- TOLERANCES:  
DEPTH: ±1/16"  
HEIGHT AND WIDTH: ±1/8"



FORM I297 REV 5/00

DRAWN GAC	DATE 29MAY14	CHECKED GC	DATE 29MAY14	APPROVED RDL	DATE 27AUG14	SUPERSEDES 3102271
 PO Box 35690 LOUISVILLE, KY 40223-5000						DRAWING NO. <b>3102271-A</b>
<b>FILTER ASSEMBLY, VARICEL 2+ SC (SH STD AF)</b>						