

# FASeal™ Attic Housing

## ATTIC HOUSINGS FOR AGRICULTURE

The FASeal attic housing has a unique design that makes filter installation simple and quick. Separate clips are not necessary, since the fully integrated compression catches hold the filters firmly in place. The 3-piece housing breaks down, allowing for ease of handling when installing in tight spaces. A full bottom provides additional backdraft protection, as the opening can be cut by the end user for a custom fit in a variety of applications.

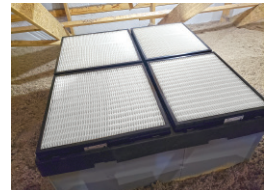
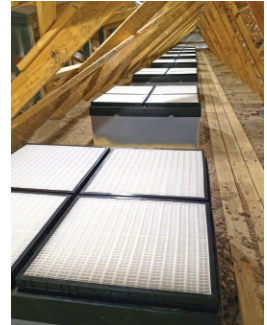
The FASeal housing is constructed from high-impact, high-strength plastics. The frames at the top and bottom of the housing are made from acrylonitrile butadiene styrene (ABS), which attaches to polypropylene (PP) honeycomb cell sides.

These plastic components offer these advantages for the challenges in swine applications:

- Durability to withstand negative pressure
- Resistance to extreme temperatures
- Resistance to chemical corrosion
- Impact resistance

The FASeal housing also provides these benefits:

- Stainless spring steel compression catches do not rust and are permanently attached
- Compatible with many types of filters
  - Stand-alone single header box filter
  - 2" or 4" stand-alone pleated filters with no header
  - Combination of 2" or 4" pleated filter plus box filter



### Durable Design

With 4 stainless spring steel compression clips fully integrated into the FASeal Housing, a variety of filters are easy to install, and separate clips are not required. The clips retain compression strength for years of service life and do not rust. The thermal polyolefin material will continue to perform in the harshest of environments and will not crack or warp due to temperature fluctuations.



Spring Steel  
Compression Clips



FASeal Housing with  
Bioce<sup>®</sup> VHXL<sup>A</sup> Filters

# FASeal™ Attic Housing

## Application Guide

Attic housing is engineered to fit between standard 48" O.C. truss layouts.

The FASeal Housing is molded and fitted to create a leak-free environment, making it ideal for agricultural applications.

The housing holds a variety of filters:

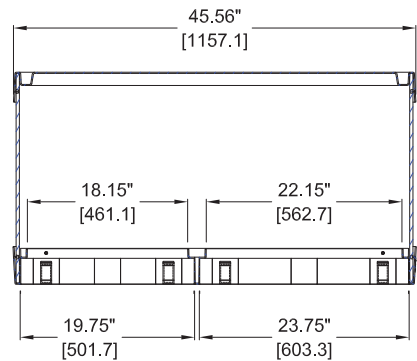
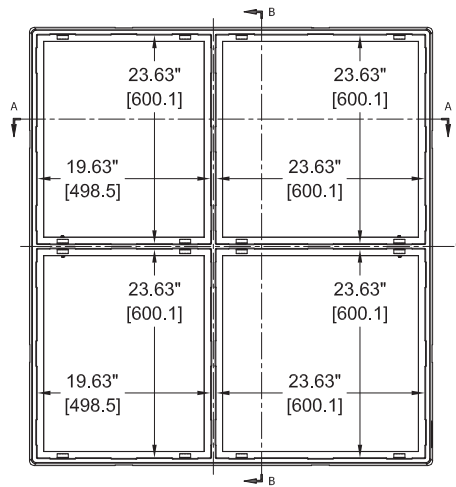
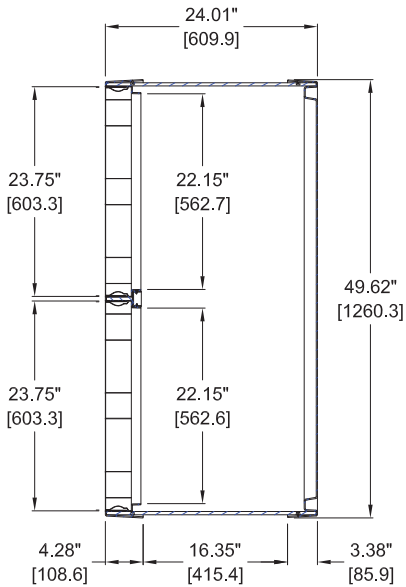
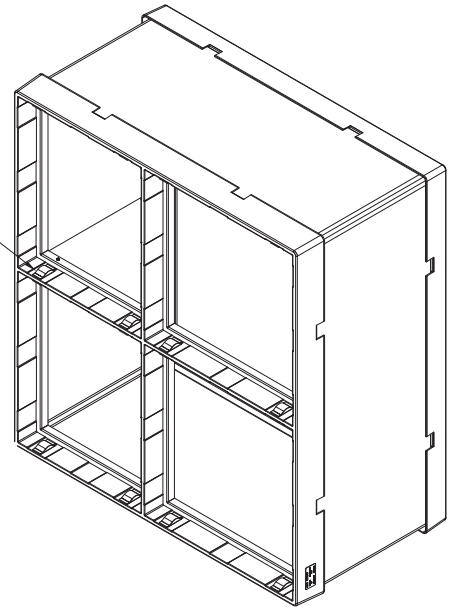
- VariCel® VXL
- Biocel® VHXL A
- PerfectPleat®
- PerfectPleat ULTRA

## Product Information

Part Number	Configuration	Nominal Size
3175545-001	2H x 2W	50" x 46"

FILTER RETAINER CLIP  
AAF P/N: 3173276-001 (QTY 16)  
AFFIXED TO FRAME AT FACTORY

Configuration Shown for Filter Sizes:  
(2) 20 x 24 & (2) 24 x 24



9920 Corporate Campus Drive, Suite 2200, Louisville, KY 40223-5690  
888.223.2003 Fax 888.223.6500 | aafintl.com

AAF has a policy of continuous product research and improvement. We reserve the right to change design and specifications without notice.

©2023 AAF International and its affiliated companies.

ISO Certified Firm

AFP-1-629A

12/23