

# FASeal™ M Grid

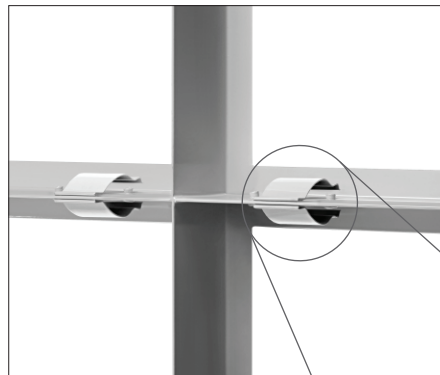
## BUILT-UP GRID BANKS FOR AGRICULTURE

The FASeal™ M Grid has a unique design that makes filter installation simple and quick. Separate clips aren't necessary, since the fully integrated compression catches hold the filters firmly in place. This grid will hold a variety of filters, including VariCel® VXL, BioCel® VHXL, PerfectPleat® and PerfectPleat® ULTRA. The FASeal M Grid is welded together to create leak-free filter housings, ideal for agricultural applications.

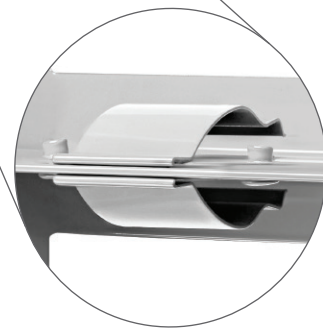
- Grids available in 18-gauge stainless steel
- Stainless spring steel compression catches won't rust and are permanently attached
- Will hold many types of filters, including any single header product alone, or in combination with a 2" or 4" prefilter, as well as 2" and 4" stand-alone filters with no header

### Durable Design

With six integral stainless spring steel compression catches fully integrated into the FASeal M Grid, a variety of filters are easy to install and separate clips aren't required. The catches retain compression strength for years of service life and do not rust. An 18-gauge stainless steel grid is available.



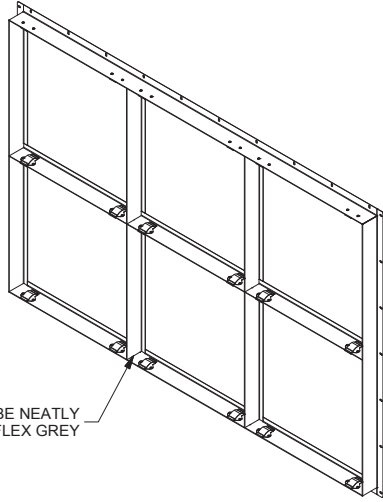
Spring Steel  
Compression Catch



# FASeal™ M Grid

## Application Guide

FASeal M Grids are designed to be direct replacements for competitive grids. The fully integrated compression catches eliminate the need for separate clips.



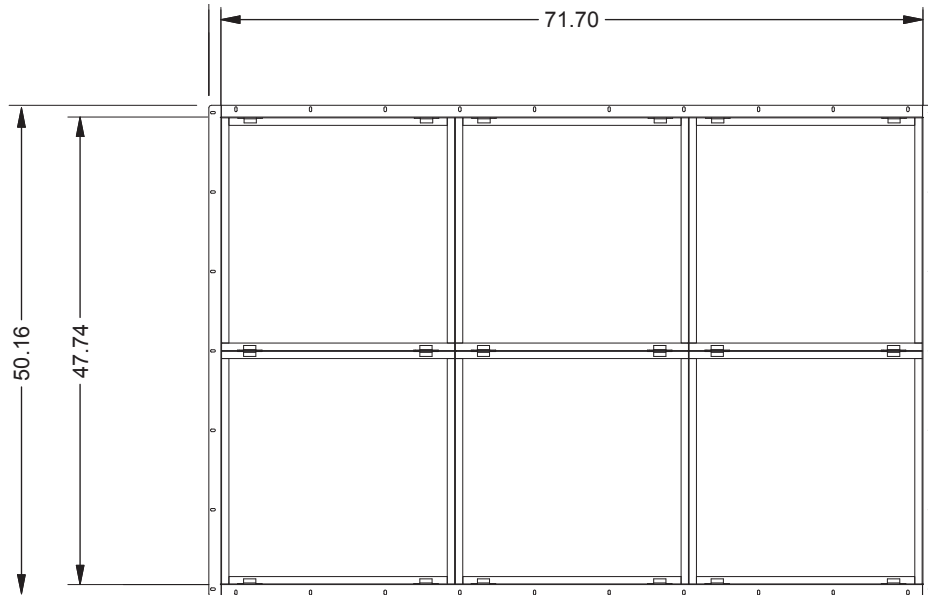
ALL SEAMS SHOULD BE NEATLY CAULKED WITH SIKAFLEX GREY

## Product Information

Part Number	Configuration	Nominal Size
15222-FG-101	3H x 2W	72" x 48"
15222-FG-103	2H x 3W	48" x 72"

Additional configurations available upon request.

**NOTE:** Customer must indicate whether grid will be installed in vertical or horizontal orientation, which will determine proper placement of compression clips.



3 x 2 grid depicted.

Multiple configurations available.

VariCel® is a registered trademark of AAF International in the U.S. and other countries.



9920 Corporate Campus Drive, Suite 2200, Louisville, KY 40223-5690  
888.223.2003 Fax 888.223.6500 | aafintl.com

AAF has a policy of continuous product research and improvement. We reserve the right to change design and specifications without notice.

©2023 AAF International and its affiliated companies.

ISO Certified Firm

AFP-1-119B 12/23