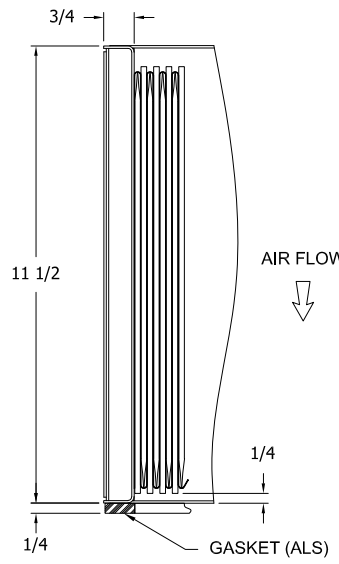
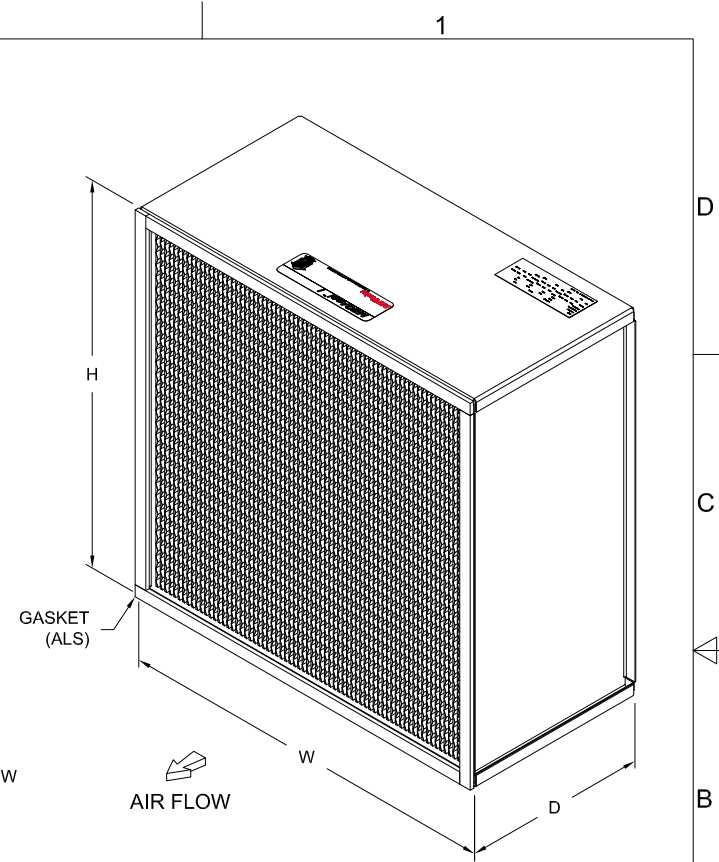


99.95% EFFICIENCY on 0.12 µm (H13)				
Qty	Part Number	Size (in) (H x W x D)	Style Code	RATED CFM @ 0.75 in wg
		24 x 24 x 11-1/2	E24A24AA1P21T20BA	2000
		24 x 12 x 11-1/2	E24A12AA1P21T20BA	935
		12 x 24 x 11-1/2	E12A24AA1P21T20BA	935
		23-3/8 x 23-3/8 x 11-1/2	E23D23DA1P21T20BA	1900
		23-3/8 x 11-3/8 x 11-1/2	E23D11DA1P21T20BA	850
		11-3/8 x 23-3/8 x 11-1/2	E11D23DA1P21T20BA	850

99.995% EFFICIENCY on 0.12 µm (H14)				
Qty	Part Number	Size (in) (H x W x D)	Style Code	RATED CFM @ 1.0 in wg
		24 x 24 x 11-1/2	E24A24AA1T22T20BA	2000
		24 x 12 x 11-1/2	E24A12AA1T22T20BA	935
		12 x 24 x 11-1/2	E12A24AA1T22T20BA	935
		23-3/8 x 23-3/8 x 11-1/2	E23D23DA1T22T20BA	1900
		23-3/8 x 11-3/8 x 11-1/2	E23D11DA1T22T20BA	850
		11-3/8 x 23-3/8 x 11-1/2	E11D23DA1T22T20BA	850

OPTIONS	CHECK BOX
GASKET MATERIAL	URETHANE
	EPDM
GASKET LOCATION	UPSTREAM
	BOTH FACES
	NONE
FACEGUARD	UPSTREAM
	DOWNSTREAM
	BOTH FACES
FRAME	304 SS
	409 SS
	ALUMINUM



SIDE SECTION

NOTES:

FRAME - 18 GA. GALVANIZED, COLD ROLLED STEEL

TOLERANCE:

HEIGHT AND WIDTH - >12" +0, -0.125"
 ≤12" +0, -.0625"

DEPTH - +.0625, -0

DIAGONALS - ≤30" DIAGONALS WITHIN 0.125"
 >30" DIAGONALS WITHIN 0.250"

SEPARATORS - TAPERED CORRUGATED ALUMINUM FOIL

SEALANT - PHOSPHORUS FREE, FIRE RETARDANT POLYURETHANE

MEDIA - PAO COMPATIBLE EXPANDED POLYTETRAFLUOROETHYLENE (eFRM) MEMBRANE WITH PROTECTIVE NON WOVEN SYNTHETIC SCRIM

GASKET - 0.25" THICK X 0.75" WIDE NEOPRENE SPONGE DOWNSTREAM

CLASSIFICATION - UL-900

MAXIMUM OPERATING TEMPERATURE - 175°F

SALES/SUBMITTAL DRAWING			THIRD ANGLE PROJECTION	MODELED BY: —	DATE: —	TITLE SUBMITTAL - MEGAcel I (EN1822) METAL FRAME, GASKET SEAL	ESTIMATED WEIGHT:	DRAWING NUMBER
APPROVAL BLOCK <input type="checkbox"/> OKAY AS IS <input type="checkbox"/> OKAY WITH REVISIONS NOTED SIGNATURE: _____ DATE: _____			<small>CONFIDENTIAL</small> <small>©2015 AAF INTERNATIONAL. ALL RIGHTS RESERVED. THIS DRAWING AND THE INFORMATION CONTAINED OR REFERENCED HEREIN REMAINS THE EXCLUSIVE PROPERTY OF AAF INTERNATIONAL AND IS LOANED IN STRICT CONFIDENCE WITH THE UNDERSTANDING THAT IT WILL NOT BE REPRODUCED NOR USED FOR ANY PURPOSE EXCEPT FOR WHICH IT WAS LOANED. THIS DRAWING SHALL BE IMMEDIATELY RETURNED OR DESTROYED UPON REQUEST AND IS SUBJECT TO ALL OTHER TERMS AND CONDITIONS OF ANY WRITTEN AGREEMENT OR PURCHASE ORDER TO WHICH IT RELATES.</small>		DRAWN BY: GAC DATE: 25AUG2020		CHECKED BY: CC DATE: 25AUG2020	APPROVED BY: MAR DATE: 25AUG2020
			TOLERANCE UNLESS NOTED OTHERWISE ± 1/16" - ± 1/2"				SECTION NUMBER	SHEET SIZE
							105	B
							SHEET 1 of 1	