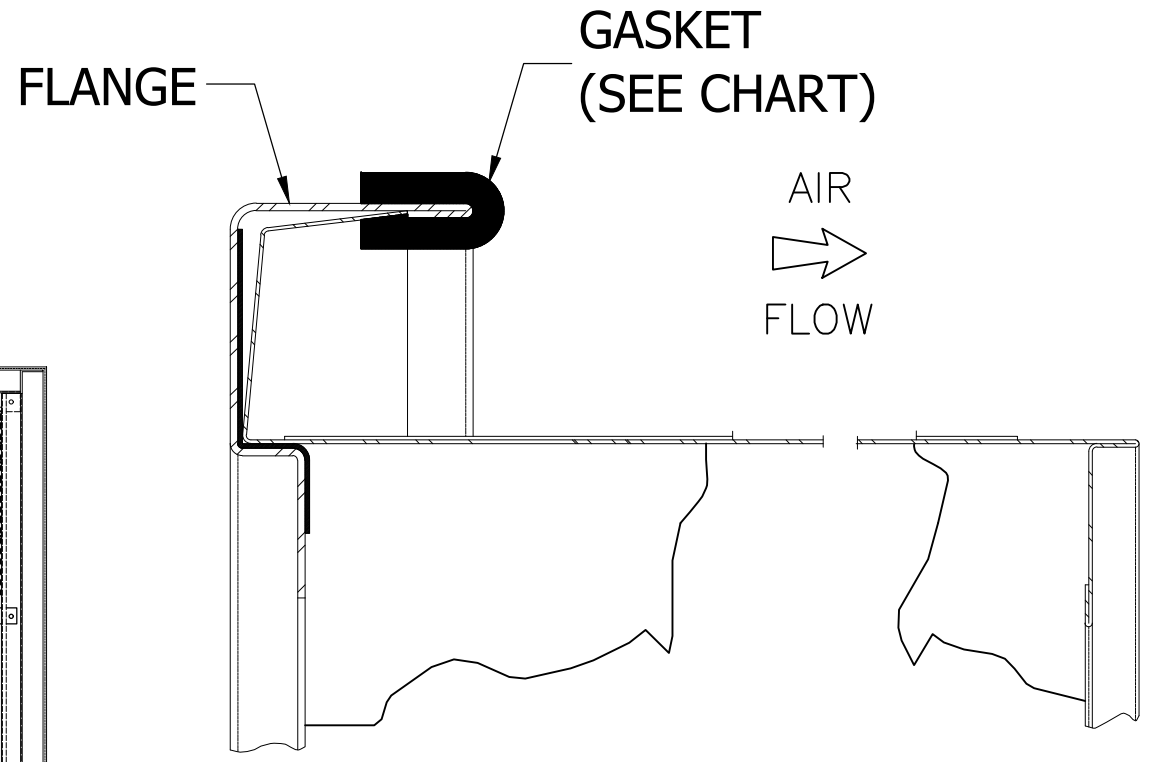
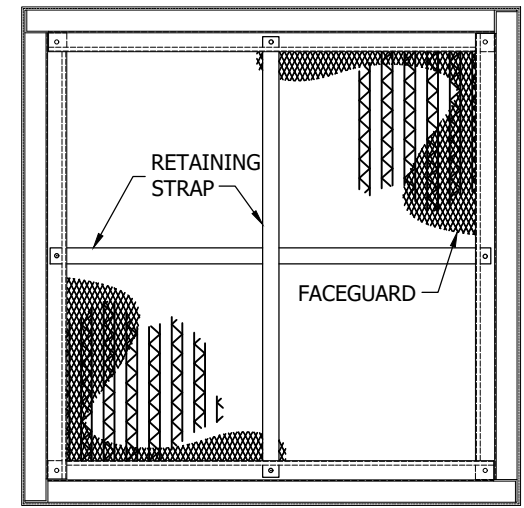
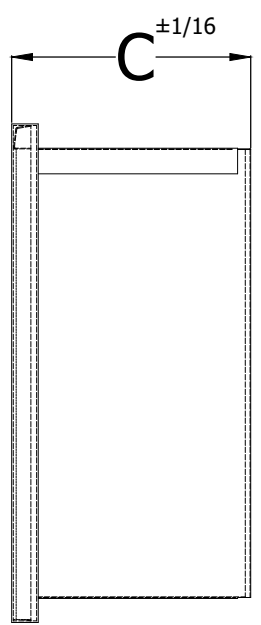
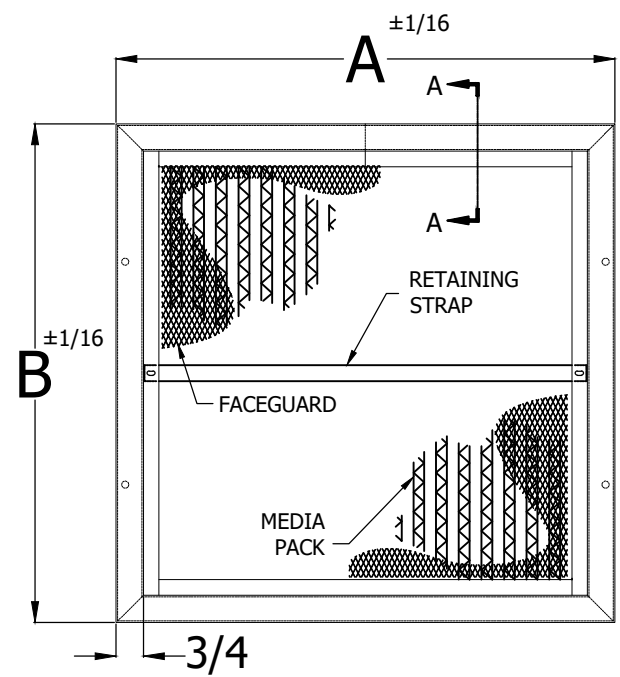


PART NUMBER	A	B	C	EFFICIENCY	GASKET
331-828-001	23 3/16	23 3/16	11 1/2	MERV 11	NO
331-828-002	11 3/16	23 3/16	11 1/2	MERV 11	NO
331-828-003	23 3/16	23 3/16	11 1/2	MERV 11	YES
331-828-004	11 3/16	23 3/16	11 1/2	MERV 11	YES

PART NUMBER	A	B	C	EFFICIENCY	GASKET
331-828-005	23 3/16	23 3/16	11 1/2	MERV 14	NO
331-828-006	11 3/16	23 3/16	11 1/2	MERV 14	NO
331-828-007	23 3/16	23 3/16	11 1/2	MERV 14	YES
331-828-008	11 3/16	23 3/16	11 1/2	MERV 14	YES



SECTION A-A

SPECIFICATIONS:

- FRAME: CARBON STEEL, COLD ROLLED, ALUMINUM COATED, 26 GA
- MEDIA: GLASS FIBER PAPER, WATER REPELLENT
- SEPARATOR: CORRUGATED ALUMINUM
- PACK DEPTH: 11"
- EFFICIENCY: SEE CHART
- GASKET: GLASS FIBER, DOWNSTREAM, SEE CHART
- FACEGUARD: FLATTENED, EXPANDED CARBON STEEL, BOTH SIDES
- TEMP. RATING: 900 F° (482 C°)
- UL RATING: UL900

APPROVED BY: _____ DATE: ___/___/___

-SUBMITTAL DRAWING-

<p>©2016 AAF INTERNATIONAL. ALL RIGHTS RESERVED. THIS DRAWING AND THE INFORMATION CONTAINED OR REFERENCED HEREIN REMAINS THE EXCLUSIVE PROPERTY OF AAF INTERNATIONAL AND IS LOANED IN STRICT CONFIDENCE WITH THE UNDERSTANDING THAT IT WILL NOT BE REPRODUCED NOR USED FOR ANY PURPOSE EXCEPT FOR WHICH IT WAS LOANED. THIS DRAWING SHALL BE IMMEDIATELY RETURNED OR DESTROYED UPON REQUEST AND IS SUBJECT TO ALL OTHER TERMS AND CONDITIONS OF ANY WRITTEN AGREEMENT OR PURCHASE ORDER TO WHICH IT RELATES.</p>										<p>AAAF International P.O. Box 35690 LOUISVILLE, KY. 40232-5690 WWW.AAFINTL.COM</p>		<p>THIRD ANGLE PROJECTION TOLERANCE UNLESS NOTED OTHERWISE ±1/16"</p>		<p>MODELED BY: _____ DATE: _____ DRAWN BY: JLH DATE: 06/15/21 CHECKED BY: KM DATE: 06/21/21 APPROVED BY: RAL DATE: 06/21/21</p>		<p>TITLE VARICEL ASSEMBLY, STANDARD AIR FLOW ALUMINIZED STEEL CELL SIDES (MERV 14, TEMP. RATING 900° F)</p>		<p>ESTIMATED WEIGHT: DRAWING NUMBER 3178237</p>													
<p>REVISIONS:</p> <table border="1"> <thead> <tr> <th>REV</th> <th>DWG BY</th> <th>DATE</th> <th>CHK BY</th> <th>DATE</th> <th>APPR BY</th> <th>DATE</th> <th>DESCRIPTION OF CHANGE</th> </tr> </thead> <tbody> <tr> <td>A</td> <td>DVR</td> <td>02/20/23</td> <td>KM</td> <td>02/23/23</td> <td>RAL</td> <td>02/23/23</td> <td>ADDING -001 THRU -006 AND -008.</td> </tr> </tbody> </table>										REV	DWG BY	DATE	CHK BY	DATE	APPR BY	DATE	DESCRIPTION OF CHANGE	A	DVR	02/20/23	KM	02/23/23	RAL	02/23/23	ADDING -001 THRU -006 AND -008.	<p>SECTION NUMBER 105</p>		<p>SHEET 1 OF 1</p>		<p>REV. A</p>	
REV	DWG BY	DATE	CHK BY	DATE	APPR BY	DATE	DESCRIPTION OF CHANGE																								
A	DVR	02/20/23	KM	02/23/23	RAL	02/23/23	ADDING -001 THRU -006 AND -008.																								