

"H" HEIGHT	"W" WIDTH	05W	10W	15W	20W	25W	30W	35W	40W	45W	50W	55W	60W
		14.00"	26.00"	39.56"	51.56"	65.13"	77.13"	90.69"	102.69"	116.69"	128.69"	142.25"	154.25"

REV	ECN #	DESCRIPTION	BY	DATE
B	24114	OVERALL HEIGHT & WIDTH CHANGES	BWH	3/27/24

05H	15.31"
10H	27.31"
15H	39.31"
20H	51.31"
25H	63.31"
30H	75.31"
35H	87.31"
40H	99.31"

SIZE CODE:
05 REPRESENTS A HALF SIZE OR 12" FILTER
10 REPRESENTS A FULL SIZE OR 24" FILTER
20H15W EXAMPLE:
20H = (2) 24" FILTER HIGH
15W = (1) 24" FILTER & (1)12" FILTER WIDE

ITEM	HEIGHT	WIDTH	DEPTH	QTY REQ'D
1				
2				
3				
4				
5				
6				
EX.	20H	20W	27.00"	3

PREFILTER SIZE

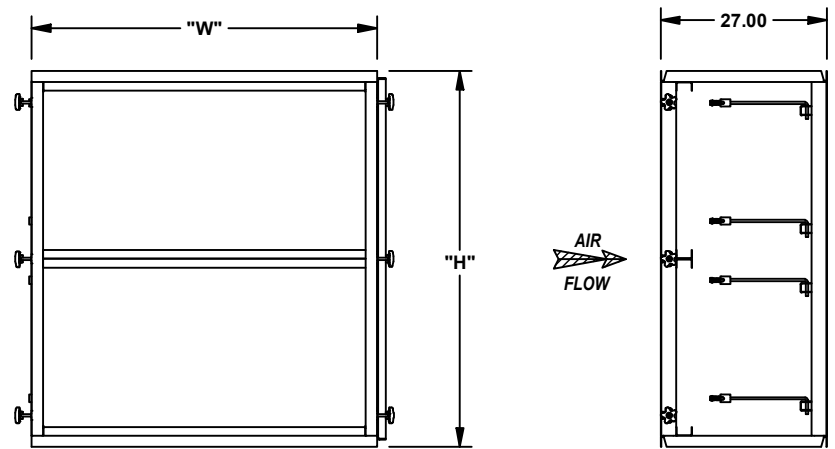
- 2" (NOM.)
- 4" (NOM.)

MATERIAL

- GALVANIZED STEEL
- T-304 STAINLESS STEEL

INSULATION TYPE

- NONE
- 1" DOOR ONLY
- 1" DOOR AND HOUSING



FRONT VIEW

SIDE VIEW

GAGES

- NONE
- PRESSURE
- PRESSURE W/ TRANSMITTER

LOCATION

- PREFILTER (0-2")
- FINAL FILTER (0-5")
- OVERALL (0-8")

MOUNTING

- FACTORY MOUNTED
- SHIP LOOSE

STANDARD SPECIFICATIONS:

1. UNIT SHALL BE MANUFACTURED FROM 14 GA MATERIAL.
2. HOUSING IS CONSTRUCTED WITH TWO ACCESS DOORS THAT SHALL BE HINGED/REMOVABLE AND SHALL HAVE CONTINUOUS NEOPRENE GASKETING ON THE PERIMETER. THEY SHALL BE EQUIPPED WITH POSITIVE PRESSURE ADJUSTABLE LATCHES WITH EASY GRIP KNOBS.
3. THE PREFILTER FILTER TRACKS SHALL INCORPORATE A PILE GASKET TO ENSURE SEALING OF THE FILTER TO THE TRACK.
4. EACH HEPA FILTER SHALL BE SECURED IN PLACE WITH FOUR SPRING-LOADED SWING-ARM ASSEMBLIES TO PROVIDE POSITIVE SEALING OF THE HEPA FILTER TO THE MOUNTING SURFACE.

CUSTOMER APPROVAL DRAWINGS MUST BE SIGNED IN ORDER TO PROCEED WITH PRODUCTION. [] APPROVED [] APPROVED AS NOTED [] NOT APPROVED					
SIGNATURE: _____			DATE: _____		
COMMENTS: _____					
QUOTE NO.: _____					
UNLESS OTHERWISE SPECIFIED DIMENSIONS ARE IN INCHES TOLERANCES ARE:					
FRACTIONS X/X ±1/8 DECIMALS X.XX ±0.13 DIAGONALS ±1/8		TITLE: SURELOCK-B SIDE ACCESS FILTER HOUSING			
DRAWN BY CTD	CHECKED BY MLEE	APPROVED BY RMIDGETTE	SHEET 1 OF 1	SHEET SIZE A	SCALE 1/26
DATE 5/25/2021		DATE 3/27/2024		DATE 3/27/2024	
DRAWING NUMBER					REV B
600-00026					