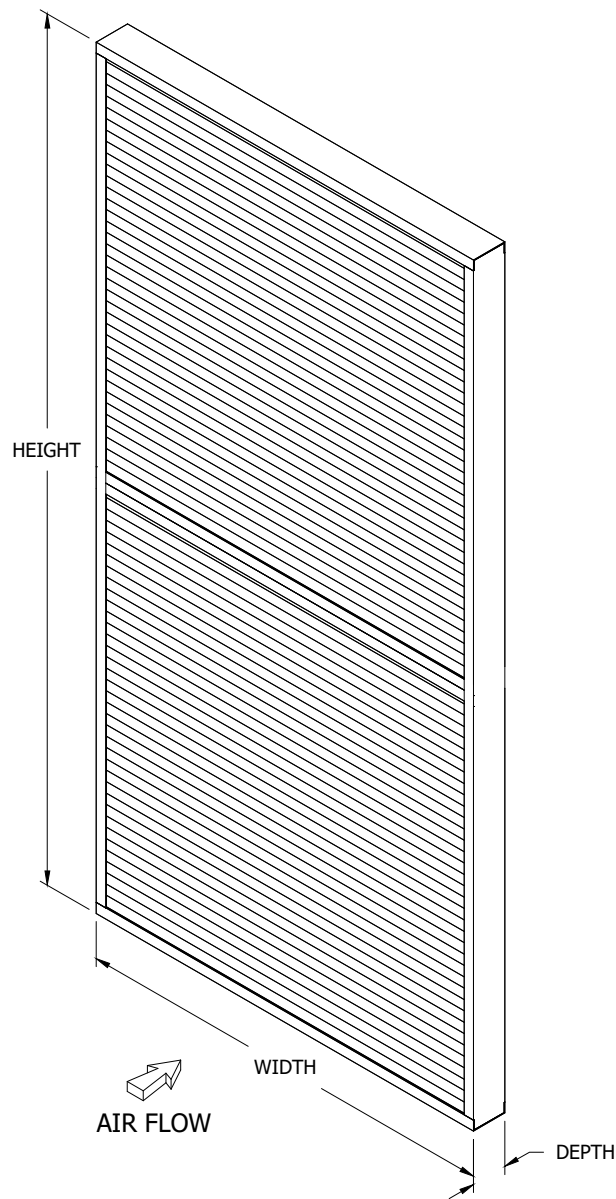
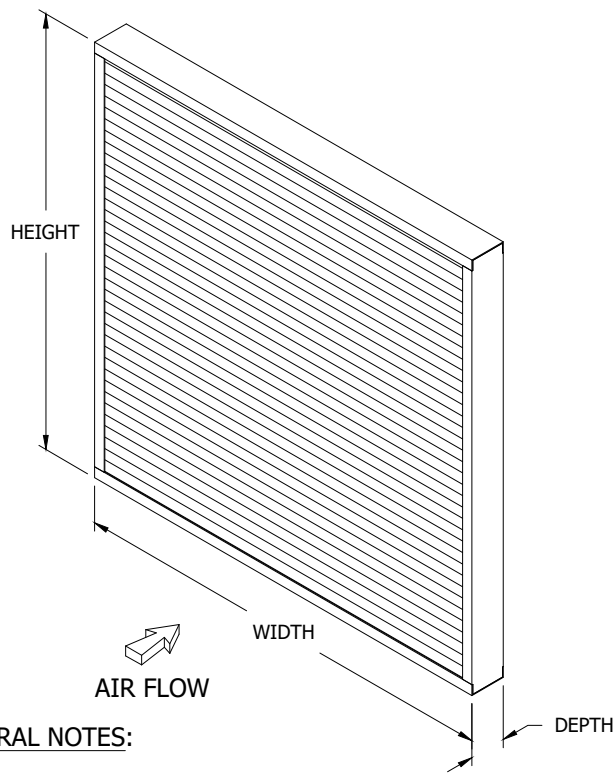


REVISIONS

AAF PART NUMBER	NOMINAL SIZE	WIDTH (inches)	HEIGHT (inches)	DEPTH (inches)	WIDTH (mm)	HEIGHT (mm)	DEPTH (mm)	DESCRIPTION	TARGET GASSES
441-856-201	24 x 48 x 2	23.62	47.25	1.97	600	1200	50	AstroSorb-P MA Aluminum	Acidic
441-863-201	24 x 24 x 2	23.62	23.62	1.97	600	600	50	AstroSorb-P MA Aluminum	Acidic
441-856-202	24 x 48 x 2	23.62	47.25	1.97	600	1200	50	AstroSorb-P MB Aluminum	Bases
441-863-202	24 x 24 x 2	23.62	23.62	1.97	600	600	50	AstroSorb-P MB Aluminum	Bases
441-856-203	24 x 48 x 2	23.62	47.25	1.97	600	1200	50	AstroSorb-P MC Aluminum	Condensable
441-863-203	24 x 24 x 2	23.62	23.62	1.97	600	600	50	AstroSorb-P MC Aluminum	Condensable
441-856-204	24 x 48 x 2	23.62	47.25	1.97	600	1200	50	AstroSorb-P MD Aluminum	Dopants
441-863-204	24 x 24 x 2	23.62	23.62	1.97	600	600	50	AstroSorb-P MD Aluminum	Dopants



GENERAL NOTES:

1. Materials of Construction
 - a. Media:
 - Activated Carbon
 - Impregnated Activated Carbon
 - Ion Exchange Resin
 - b. Frame: Anodized Aluminum
 - c. Sealant: Urethane
2. Dimensions
 - a. Nominal Depth = 2
 - b. For face dimensions see table
 - c. Tolerance
 - (A x B) + 1mm / - 2mm
 - (C) ± 1.5mm
3. Poron and EPDM Gasket available

SALES/SUBMITTAL DRAWING

APPROVAL BLOCK

OKAY AS IS

OKAY WITH REVISIONS NOTED

SIGNATURE: _____ DATE: _____

FORM I297 REV. 5/00		DATE: 07OCT2024		CHECKED: GC		DATE: 08OCT2024		APPR. ---		DATE: -----	
 P.O. Box 35690 Louisville, KY. 40232-5690 www.aafintl.com		FILTER ASSEMBLY, ASTROSORB - P (PANEL FILTER) (SUBMITTAL)						DRAWING NO.		REV	
								3190110			
SHEET										1 OF 1	