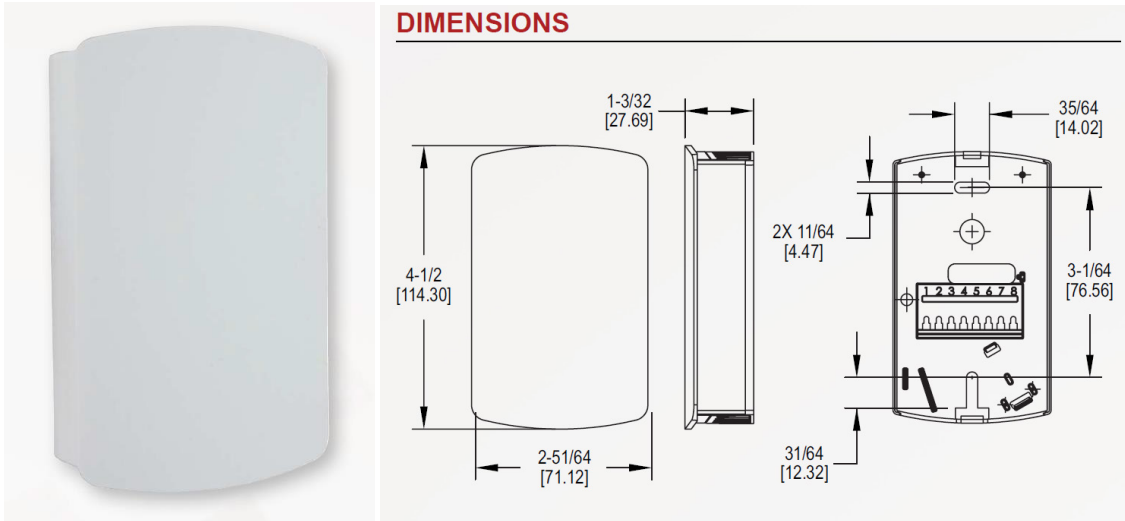


Wall-Mount Temperature/Humidity Sensor



Specifications

Sensor	Capacitive polymer
Relative Humidity Range	0 to 100% RH
RH Accuracy	+/-3% 20% to 80% RH @ 25°C
RH Hysteresis	+/-0.8%
RH Repeatability	+/-0.1% typical
Temperature Output Range	-40 to 140°F
Temperature Accuracy	+/- 0.9°F @ 77°F
Temperature Limits	Operating: -40 to 140°F; Storage -40 to 176°
Power Requirements	10-35VDC
Response Time	8 s (τ_{63})
Drift	<0.25% RH/year
Enclosure Material	Polycarbonate
Electrical Connections	Screw terminal block
Weight	4.4 oz
Compliance	CE

WIRING DIAGRAMS

