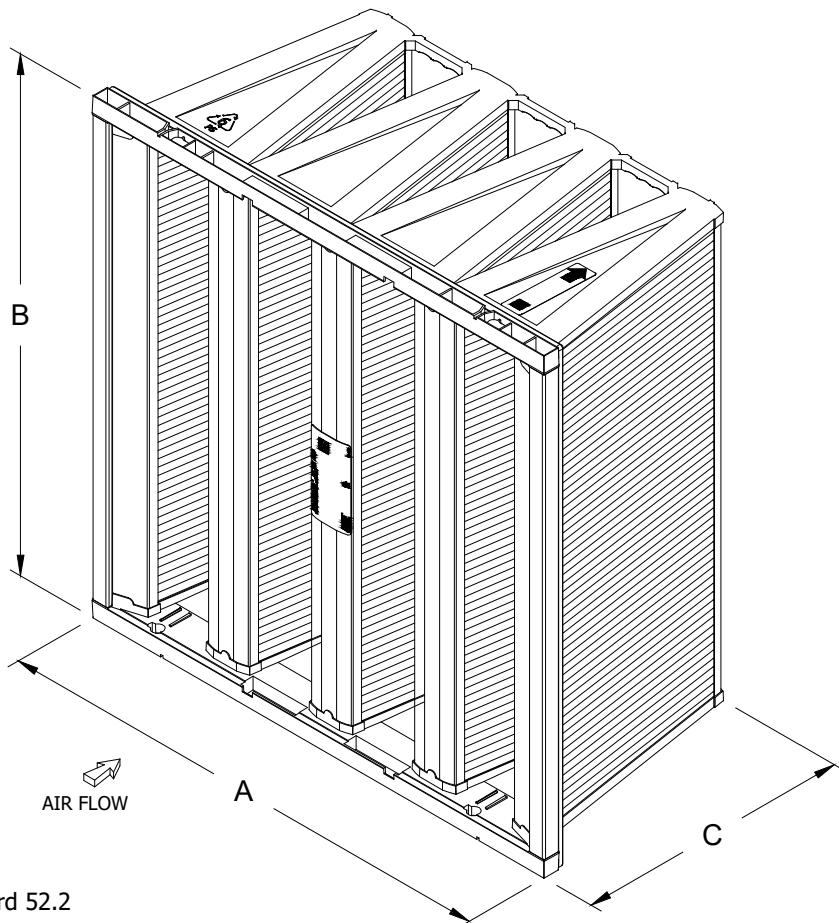


REVISIONS

(A02688) SWITCH 'MEDIA AREA' & 'GAC-WT' DATA IN CHART  
GAC 05MAY2025 - GC 05MAY2025 - KM 06MAY2025


AAF PART NUMBER	NOMINAL SIZE	ACTUAL SIZE (A x B x C)	MEDIA AREA (Sq. Ft.)	GASKET	INITIAL RESISTANCE (in. W.G.)		FINAL RESISTANCE (in. W.G.)	FILTER GAC-WT (lbs)
					300 FPM	500 FPM		
3189288-001	12 x 24 x 12	23.375 x 11.375 x 12.00	28.0	X	0.23	0.45	1.5	2.9
3189288-002	20 x 24 x 12	23.375 x 19.375 x 12.00	51.0		0.23	0.45	1.5	5.6
3189288-003	24 x 24 x 12	23.375 x 23.375 x 12.00	63.0		0.23	0.45	1.5	6.7
3189288-004	12 x 24 x 12	23.375 x 11.375 x 12.00	28.0	AIR LEAVING SIDE ONLY	0.23	0.45	1.5	2.9
3189288-005	20 x 24 x 12	23.375 x 19.375 x 12.00	51.0		0.23	0.45	1.5	5.6
3189288-006	24 x 24 x 12	23.375 x 23.375 x 12.00	63.0		0.23	0.45	1.5	6.7



**GENERAL NOTES:**

- 1 Filters are MERV 15 in accordance with ASHRAE Standard 52.2
- 2 Materials of Construction:
  - a) Media: Mini carbon granulate bonded into a three dimensional network of bicomponent fibers. The carbon media is laminated to a high efficiency synthetic particulate filtration layer.
  - b) Frame: Injection molded high impact polystyrene
  - c) Sealant: Polyurethane
- 3 Dimensions:
  - A. Filter Depth = 12.00"
  - B. For face dimensions see table
- 4 Maximum Operating Temperature: 130° F (54° C)
- 5 Maximum Relative Humidity: 95%

FORM I297 REV. 5/00

DRAWN DVR	DATE 11/13/2024	CHECKED GAC	DATE 13NOV2024	APPR. KM	DATE 13NOV2024	DRAWING NO. 3190252	REV A
 P.O. Box 35690 Louisville, KY. 40232-5690 www.aafintl.com						FILTER ASSEMBLY, VARISORB XL15 (RECESSED) (SUBMITTAL)	
						SHEET	1 OF 1